

# AC axial fan



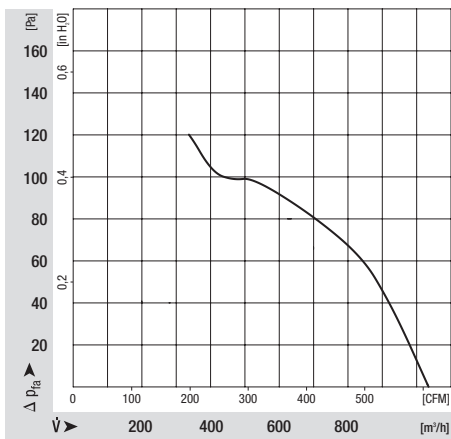
- **Impeller material:** Sheet steel (welded to the rotor and stove-enameled in black)
- **Housing material:** Die-cast aluminum
- **Bearings:** Ball bearings

## Nominal data

Type	Motor	Voltage 1 - VAC	Frequency Hz	Air flow m <sup>3</sup> /h	Speed 1/min	Power consumption W	Current draw A	Capacitor capacity uF/V	Sound pressure level dB(A)	Operative range 60Hz Pa	Weight kg
W2E200HK8601	M2E068BF	115	60	1030	2800	80	0.70	5.0 / 220	61	0 .. 120	2.0

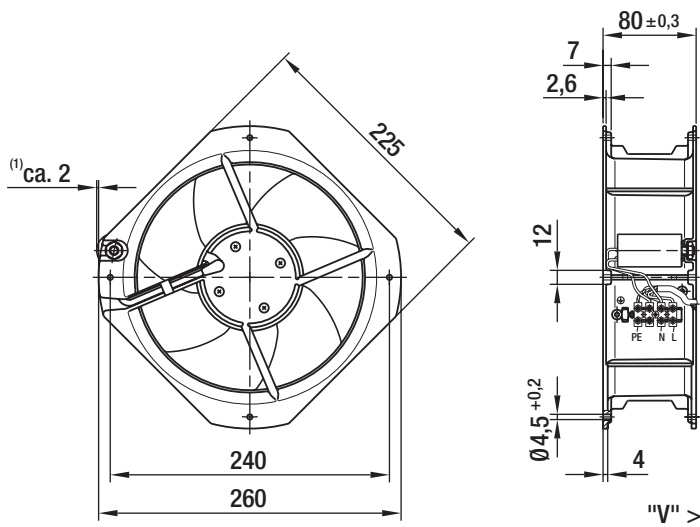
Subject to modification

## Characteristic: Pressure over air flow at 60Hz



# AC axial fan

## Specific drawing



(1) Capacitor protrusion

## Technical description

- **Impeller material:** Sheet steel (welded to the rotor and stove-enameled in black)
- **Bearings:** Ball bearings
- **Direction of flow:** "V", exhaust over braces
- **Operating mode:** S1
- **Protection class:** I
- **Approvals:** VDE, CSA, UL, CE
- **Housing material:** Die-cast aluminum
- **Direction of rotation:** Left, looking at rotor
- **Electrical connection:** Terminal strip (operating capacitor wired)
- **Insulation class:** "B"
- **Motor protection:** Built-in thermal overload protector

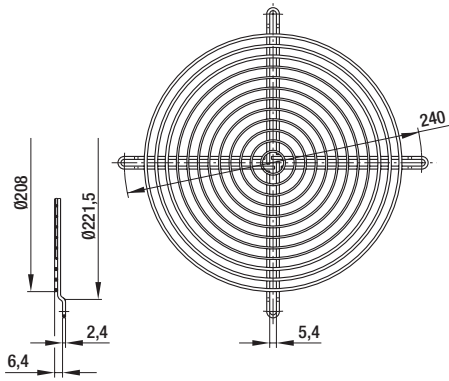
## Contact

ebm-papst Mulfingen GmbH & Co. KG  
Bachmühle 2  
D-74673 Mulfingen  
Phone +49 (0) 79 38 / 81-0  
Fax +49 (0) 79 38 / 81-110  
info1@de.ebmpapst.com  
www.ebmpapst.com

# Guard grille

Order No.

78128-2-4039



## Technical description

- **Material:** Steel wire, plastic-coated, silver-metallic gloss

## Contact

**ebm-papst Mulfingen GmbH & Co. KG**

Bachmühle 2

D-74673 Mulfingen

Phone +49 (0) 79 38 / 81-0

Fax +49 (0) 79 38 / 81-110

info1@de.ebmpapst.com

www.ebmpapst.com