

AC diagonal fan

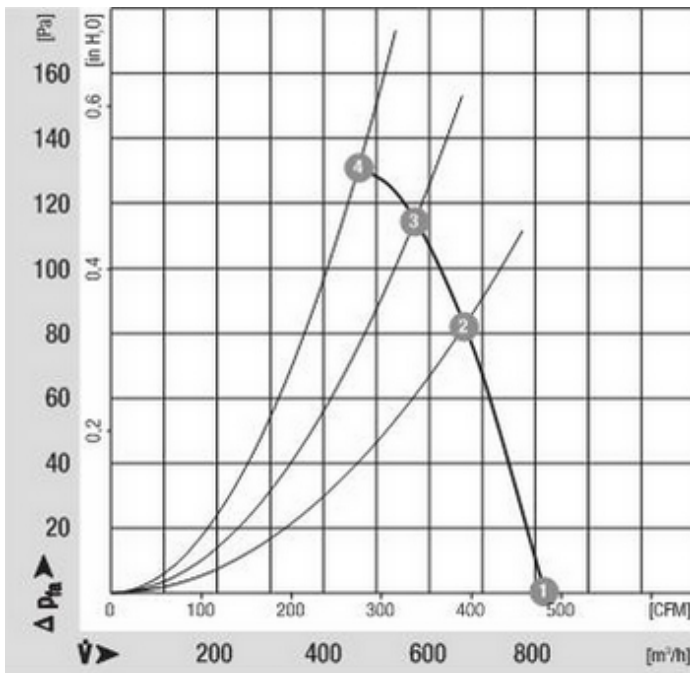


- Impeller material: PA6.6 GF plastic
- Housing material: Die-cast aluminum GDAISI
- Bearings: Ball bearings

Nominal data		Voltage	Frequency	Air flow	Speed	Power consumption	Current draw	Capacitor capacity	Sound pressure level	Operative range 50Hz	Weight
Type	Motor	1 - VAC	Hz	m ³ /h	1/min	W	A	uF/V	dB(A)	Pa	kg
W2E208BA2001	M2E068CF	230	50	815	2750	67	0.33	1.5 / 450	68	0 .. 135	2.8

Subject to modification

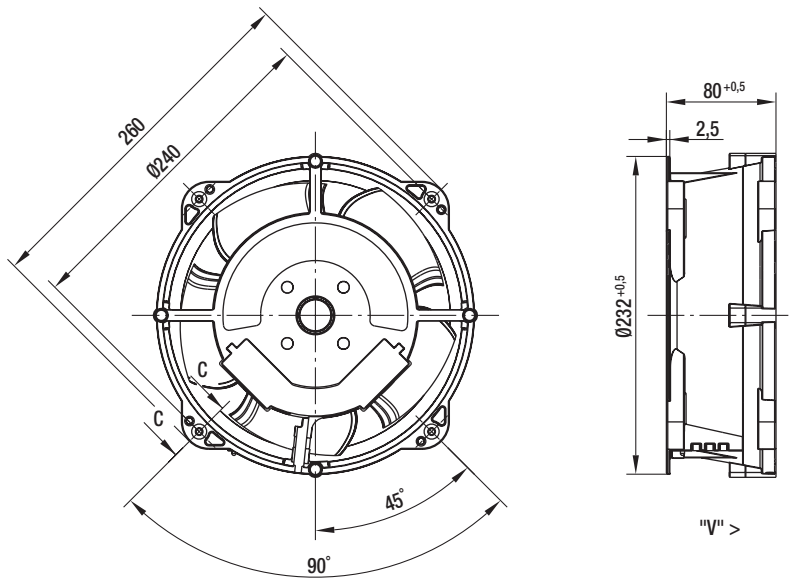
Characteristic: Pressure over air flow at 50Hz



	n [1/min]	P ₁ [W]	I [A]	LpA [dBA]	ntL [%]
1	3100	87	--	70	--
2	2990	100	--	70	--
3	2960	102	--	69	--
4	3020	97	--	70	--

AC diagonal fan

Specific drawing



Technical description

- **Impeller material:** PA6.6 GF plastic
- **Bearings:** Ball bearings
- **Direction of flow:** "V", exhaust over braces
- **Operating mode:** S1
- **Protection class:** I
- **Housing material:** Die-cast aluminum GDAISI
- **Direction of rotation:** Left, looking at rotor
- **Electrical connection:** Terminal strip, built-in operating capacitor
- **Insulation class:** "F"
- **Approvals:** CE

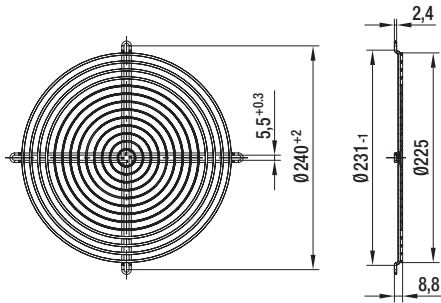
Contact

ebm-papst Mulfingen GmbH & Co. KG
Bachmühle 2
D-74673 Mulfingen
Phone +49 (0) 79 38 / 81-0
Fax +49 (0) 79 38 / 81-110
info1@de.ebmpapst.com
www.ebmpapst.com

Guard grille, outlet side mount

Order No.

35138-2-4039



Technical description

- **Material:** Steel wire, galvanized and blue chromated

Contact

ebm-papst Mulfingen GmbH & Co. KG

Bachmühle 2

D-74673 Mulfingen

Phone +49 (0) 79 38 / 81-0

Fax +49 (0) 79 38 / 81-110

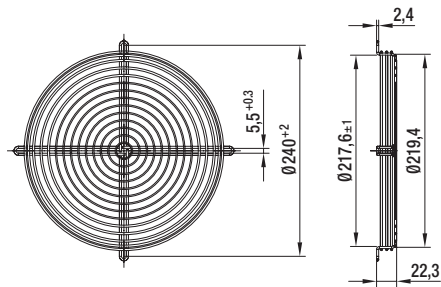
info1@de.ebmpapst.com

www.ebmpapst.com

Guard grille, inlet side mount

Order No.

35139-2-4039



Technical description

- **Material:** Steel wire, plastic-coated, silver-metallic gloss

Contact

ebm-papst Mulfingen GmbH & Co. KG

Bachmühle 2

D-74673 Mulfingen

Phone +49 (0) 79 38 / 81-0

Fax +49 (0) 79 38 / 81-110

info1@de.ebmpapst.com

www.ebmpapst.com