

W2E208-BA20-01

AC diagonal compact fan

sickled blades (S series)



ebm-papst Mulfingen GmbH & Co. KG

Bachmühle 2

74673 Mulfingen

Phone: +49 7938 81-0

Fax: +49 7938 81-110

www.ebmpapst.com

info1@de.ebmpapst.com

Nominal data

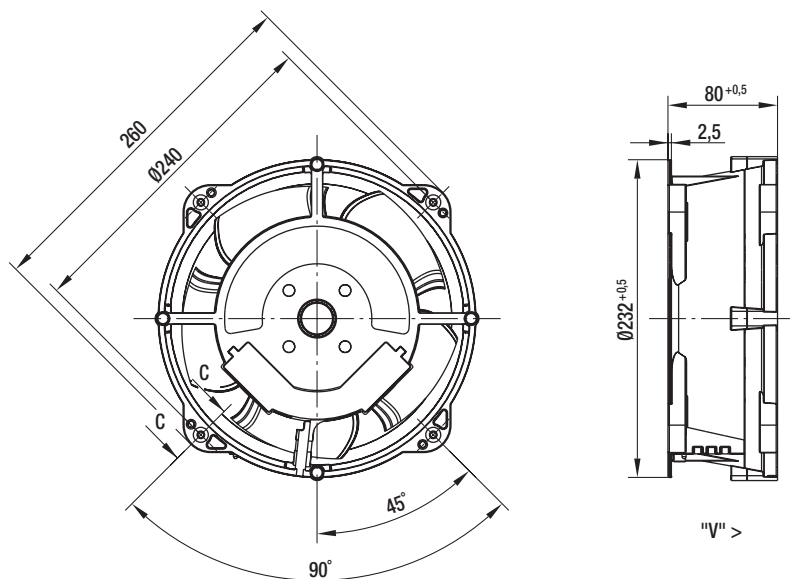
Type	W2E208-BA20-01		
Motor	M2E068-CF		
Phase		1~	1~
Nominal voltage	[V]	230	230
Frequency	[Hz]	50	60
Type of data definition		rfa	rfa
Valid for approval / standard		CE	CE
Speed	[min ⁻¹]	2750	3100
Power input	[W]	67	87
Current draw	[A]	0,33	0.39
Motor capacitor	[µF]	1,5	1.5
Capacitor voltage	[VDB]	400	400
Capacitor standard		P0 (CE)	P0 (CE)
Min. back pressure	[Pa]	0	0
Max. back pressure	[Pa]	135	165
Max. ambient temperature	[°C]	72	72
Air flow	[m ³ /h]	815	925
Back pressure	[Pa]	0	0
Sound pressure level	[dB(A)]	68	70

ml = max. load · me = max. efficiency · rfa = running at free air · cs = customer specs · cu = customer unit
Subject to alterations

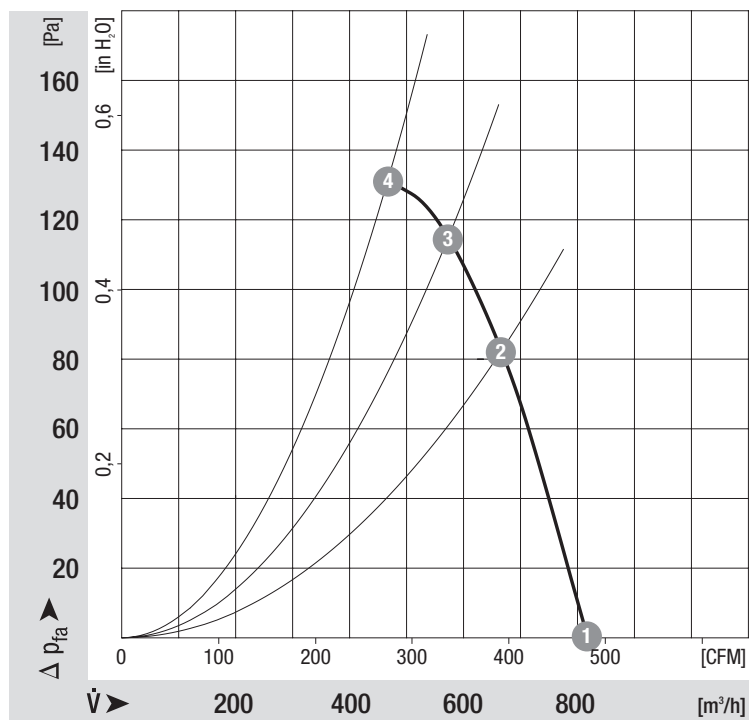
Technical features

Leakage current	< 0,75 mA
Dimensions	208 mm
Size	208 mm
Operation mode	Continuous operation (S1)
Direction of rotation	Counter-clockwise, seen on rotor
Electrical leads	Via terminal strips, integrated capacitor connected via terminal strips
Direction of air flow	"V"
Insulation class	"F"
Cable exit	Lateral
Bearing motor	Ball bearing
Mass	2.8 kg
Housing material	Die-cast aluminum
Material of impeller	PA plastic
Motor protection	Thermal overload protector (TOP) wired internally
Product conforming to standard	CE
Type of protection	IP 44 - depending on position
Protection class	I
Approval	CCC; GOST; VDE

Product drawing



Charts: Air flow 50 Hz



Measured values

	n	P_1
	[min ⁻¹]	[W]
1	3100	87
2	2990	100
3	2960	102
4	3020	97

Charts: Air flow 60 Hz

