

# EC diagonal fan



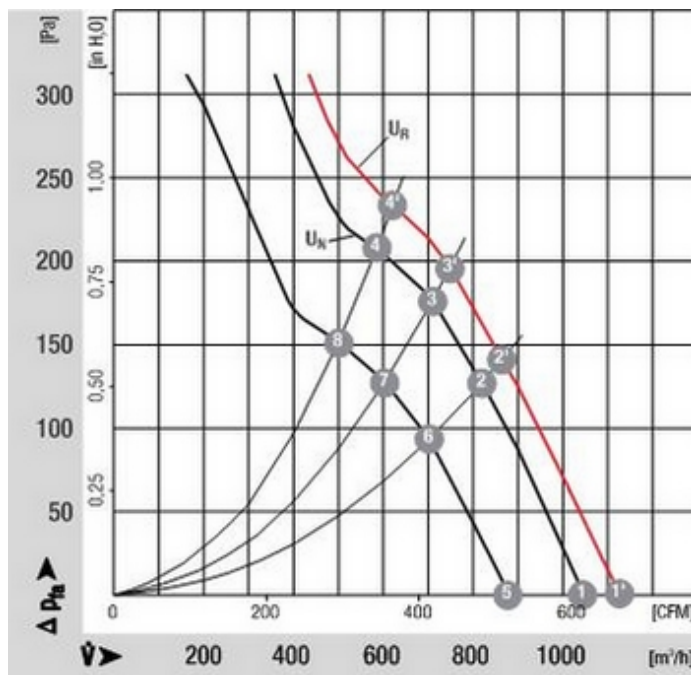
- Impeller material: PA6.6 GF plastic
- Housing material: Die-cast aluminum GDAISI
- Bearings: Ball bearings

## Nominal data

Type	Motor	Voltage VDC	Voltage range VDC	Air flow m <sup>3</sup> /h	Speed 1/min	Power consumption W	Current draw A	Sound pressure level dB(A)	Operative range Pa	Ambient temperature °C	Weight kg
W1G208BA3552	M1G074BF	24	16 - 28	1050	3500	96	4.40	74	0 .. 300	-25 .. 72	2.3

Subject to modification

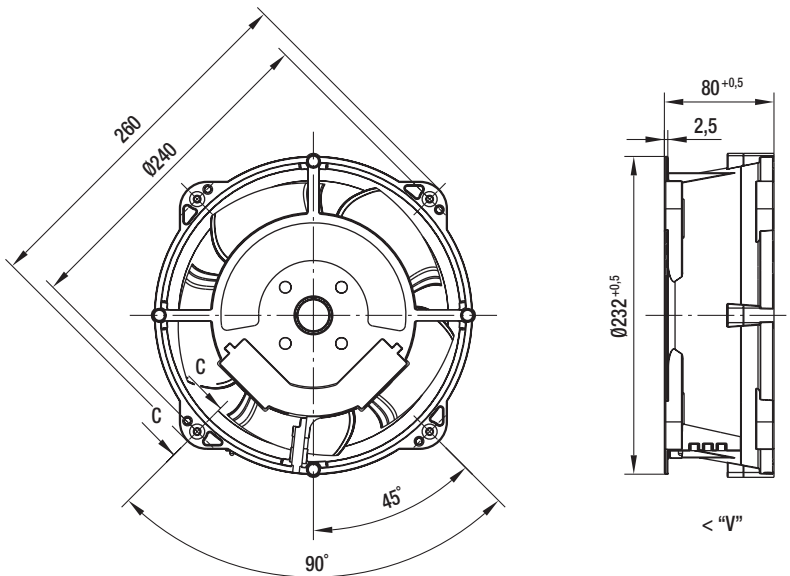
## Characteristic: Pressure over air flow



	n [1/min]	P <sub>1</sub> [W]	I [A]	LpA [dBA]	ntL [%]
1	3740	116	--	75	--
2	3500	118	--	74	52
3	3450	119	--	73	53
4	3530	118	--	75	48
1	3500	96	--	74	--
2	3300	99	--	72	52
3	3250	100	--	72	53
4	3330	99	--	73	48
5	2960	58	--	70	--
6	2830	63	--	69	52
7	2780	64	--	68	53
8	2840	62	--	70	48

# EC diagonal fan

## Specific drawing



## Technical description

- **Impeller material:** PA6.6 GF plastic
- **Bearings:** Ball bearings
- **Direction of air flow:** "V", exhaust over braces
- **Operating mode:** S1
- **Protection class:** I
- **Housing material:** Die-cast aluminum GDAISI
- **Direction of rotation:** Left, looking at rotor
- **Electrical connection:** Terminal strip (red = +; blue = -; yellow = control input 0-10 VDC / PWM; white = tach output)
- **Insulation class:** "B"

## Contact

ebm-papst Mulfingen GmbH & Co. KG  
Bachmühle 2  
D-74673 Mulfingen  
Phone +49 (0) 79 38 / 81-0  
Fax +49 (0) 79 38 / 81-110  
info1@de.ebmpapst.com  
www.ebmpapst.com