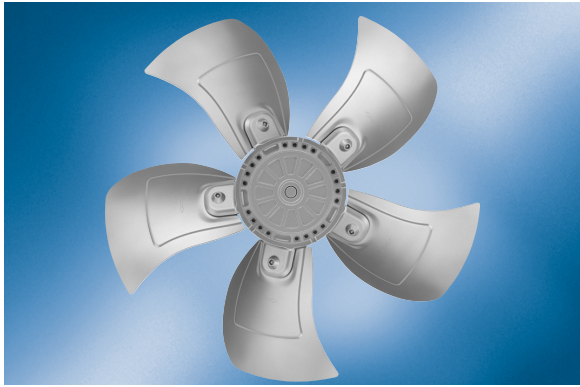


AC axial fan

S series



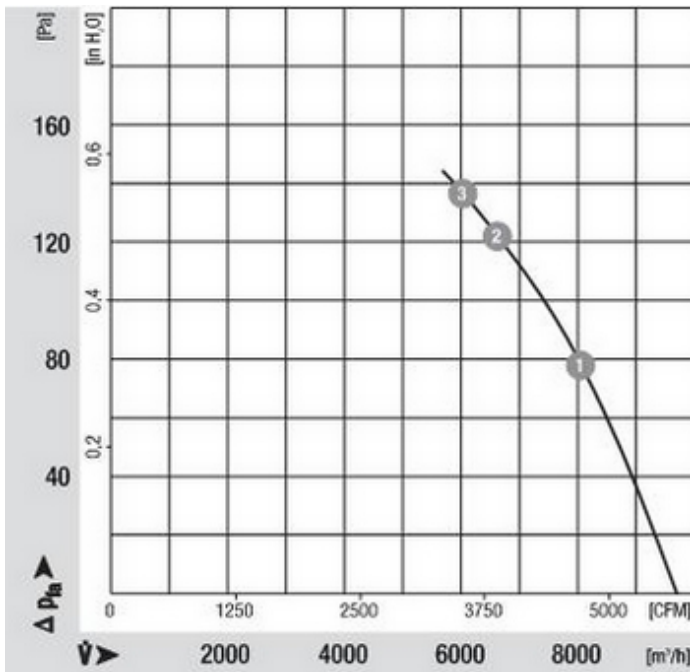
- **General description:** Blade angle 0°
- **Design:** Guard grille
- **Impeller material:** Aluminum sheet

Nominal data		Voltage	Frequency	Air flow	Speed at highest load	Max. power consumption at highest load	Max. current draw at highest load	Capacitor capacity	Sound pressure level	Operative range 50Hz	Ambient temperature 50Hz	Weight
Type	Motor	1 - VAC	Hz	m³/h	1/min	W	A	uF/V	dB(A)	Pa	°C	kg
S4E500BD0302	M4E110GF	230	50	9700	1270	760	3.30	14.0 / 400	71	0 .. 130	-40 .. 60	12.8

Subject to modification

Characteristic: Pressure over air flow at 50Hz

n	P ₁	I	LpA	ntL
[1/min]	[W]	[A]	[dBA]	[%]

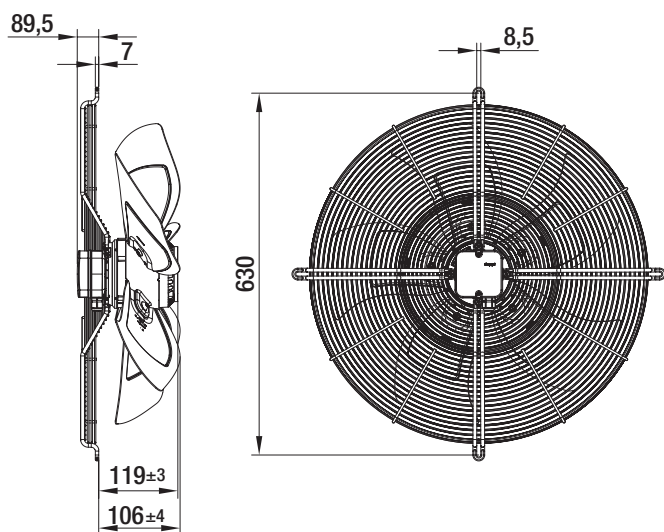


1	1305	710	3,13	71	--
2	1285	750	3,28	71	--
3	1270	760	3,30	71	--

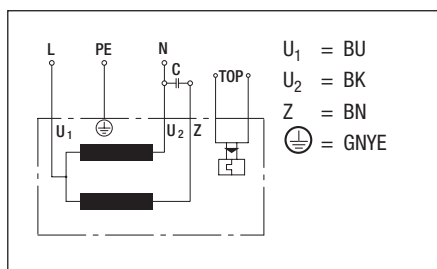
AC axial fan

S series

Specific drawing



Connection illustration



Technical description

- **General description:** Blade angle 0°
- **Impeller material:** Aluminum sheet
- **Direction of rotation:** Right, looking at rotor
- **Number of impeller blades:** 5
- **Cable layout:** Side (screwed cable gland M20 x 1.5)
- **Operating mode:** S1
- **Protection class:** I
- **Motor protection:** Equipped with thermal overload protector
- **Design:** Guard grille
- **Bearings:** Maintenance-free ball bearings
- **Direction of flow:** "A"
- **Terminal box design:** 99 x 99 mm
- **Guideline:** Corresponding to EN 60034-1
- **Insulation class:** "F"
- **System of protection:** IP 54 (observe installation orientation and discharge holes)
- **Approvals:** CE

Contact

ebm-papst Mulfingen GmbH & Co. KG

Bachmühle 2

D-74673 Mulfingen

Phone +49 (0) 79 38 / 81-0

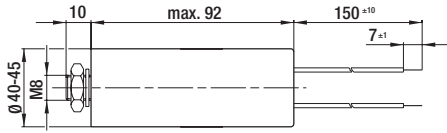
Fax +49 (0) 79 38 / 81-110

info1@de.ebmpapst.com

www.ebmpapst.com

MKP motor capacitor (without fuse), 14.0 μ F

Order No.	Capacity
30457-4-7320	14.0 μ F



Technical description

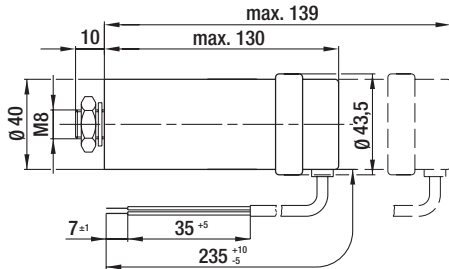
- **Material:** Housing of Thermoplast
- **Connecting cable:** Multi-core PVC wire 0.5 mm² (16 x 0.2 mm²) with wire-end clamp
- **Approvals:** VDE in accordance with DIN EN 60252 (VDE 0560/8)
- **Expected service life:** 400 VDB; -25 to +85°C; 30,000 hrs.; Class A
450 VDB; -25 to +85°C; 10,000 hrs.; Class B

Contact

ebm-papst Mulfingen GmbH & Co. KG
Bachmühle 2
D-74673 Mulfingen
Phone +49 (0) 79 38 / 81-0
Fax +49 (0) 79 38 / 81-110
info1@de.ebmpapst.com
www.ebmpapst.com

MKP motor capacitor FPU or P2 (with fuse) 14.0 μ F

Order No.	Capacity
90026-4-7320	14.0 uF



Technical description

- **General description:** FPU or P2 in accordance with IEC 252 (nonflammable, nonexplosive, circuit-breaking)
- **Expected service life:** 420 VDB; -25 to +85°C; 30,000 hrs.; Class A 470 VDB; -25 to +85°C; 10,000 hrs.; Class B 500 VDB; -25 to +85°C; 3,000 hrs.; Class C
- **Approvals:** VDE in accordance with DIN EN 60252 (VDE 0560/8)

- **Material:** Plastic cap, aluminum cup

Contact

ebm-papst Mulfingen GmbH & Co. KG
Bachmühle 2
D-74673 Mulfingen
Phone +49 (0) 79 38 / 81-0
Fax +49 (0) 79 38 / 81-110
info1@de.ebmpapst.com
www.ebmpapst.com