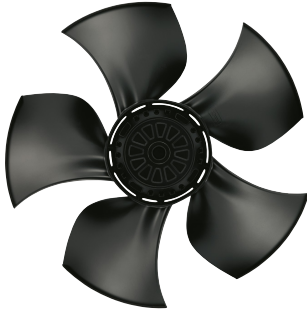


S4E450-AU03-01

# AC axial fan

sickled blades (S series)  
with guard grille for short nozzle



**ebm-papst Mulfingen GmbH & Co. KG**

Bachmühle 2  
74673 Mulfingen  
Phone: +49 7938 81-0  
Fax: +49 7938 81-110  
www.ebmpapst.com  
info1@de.ebmpapst.com

## Nominal data

Type	S4E450-AU03-01		
Motor	M4E094-EA		
Phase		1~	1~
Nominal voltage	[V]	230	230
Frequency	[Hz]	50	60
Type of data definition		ml	ml
Valid for approval / standard		CE	CE
Speed	[min <sup>-1</sup> ]	1300	1490
Power input	[W]	350	425
Current draw	[A]	1.55	1.87
Motor capacitor	[μF]	8	8
Capacitor voltage	[VDB]	400	400
Max. back pressure	[Pa]	120	50
Max. ambient temperature	[°C]	55	45

ml = max. load · me = max. efficiency · rfa = running at free air · cs = customer specs · cu = customer unit  
Subject to alterations

# AC axial fan

sickled blades (S series)  
with guard grille for short nozzle

## Technical features

Leakage current	<= 3,5 mA
Size	450 mm
Operation mode	Continuous operation (S1)
Direction of rotation	Counter-clockwise, seen on rotor
Electrical leads	Via terminal box, integrated capacitor connected via terminal box
Direction of air flow	"V"
Insulation class	"F"
Bearing motor	Ball bearing
Mass	6.0 kg
Material of electronics housing	Rotor: Coated in black
Material of impeller	Plastic, black
Motor protection	Thermal overload protector (TOP) wired internally
Product conforming to standard	CE
Number of blades	5
Type of protection	IP 54
Protection class	I

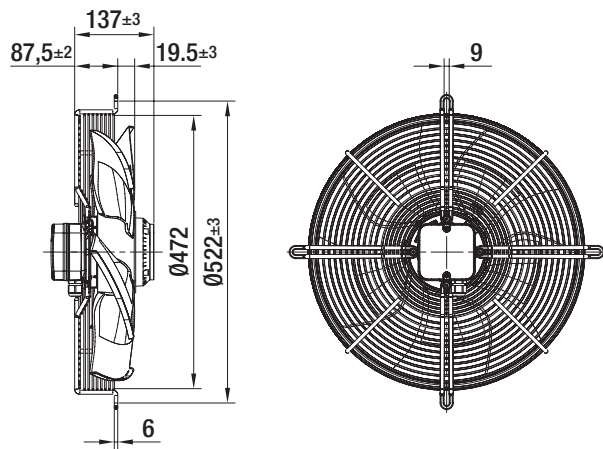
S4E450-AU03-01

## AC axial fan

sickled blades (S series)

with guard grille for short nozzle

### Product drawing



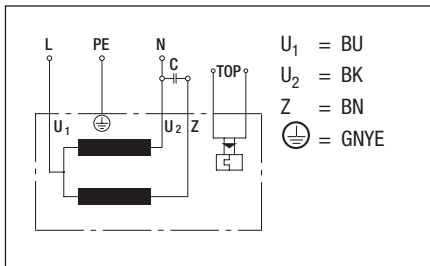
S4E450-AU03-01

# AC axial fan

sickled blades (S series)

with guard grille for short nozzle

## Connection screen

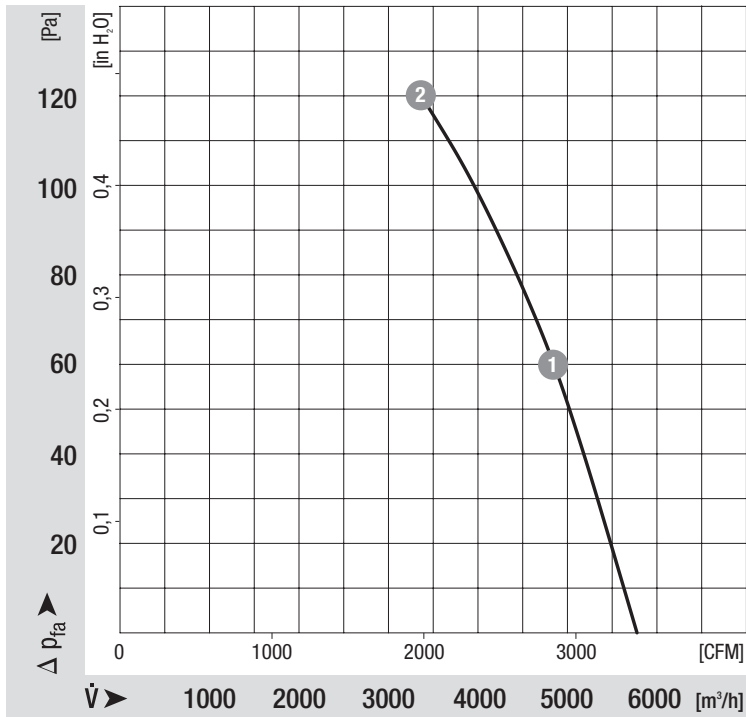


## AC axial fan

sickled blades (S series)

with guard grille for short nozzle

## Charts: Air flow 50 Hz



## Measured values

	n	P <sub>1</sub>	I
	[min <sup>-1</sup> ]	[W]	[A]
1	1350	310	1.35
2	1300	350	1.55

# AC axial fan

sickled blades (S series)  
with guard grille for short nozzle

## Charts: Air flow 60 Hz

