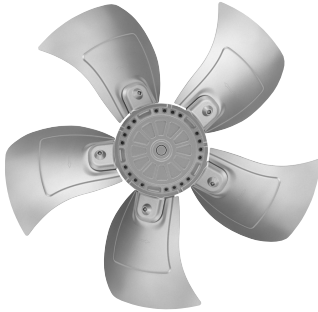


S4D500-AD03-01

# AC axial fan with guard grille for short nozzle sickled blades (S series)



**ebm-papst Mulfingen GmbH & Co. KG**

Bachmühle 2

74673 Mulfingen

Phone: +49 7938 81-0

Fax: +49 7938 81-110

www.ebmpapst.com

info1@de.ebmpapst.com

## Nominal data

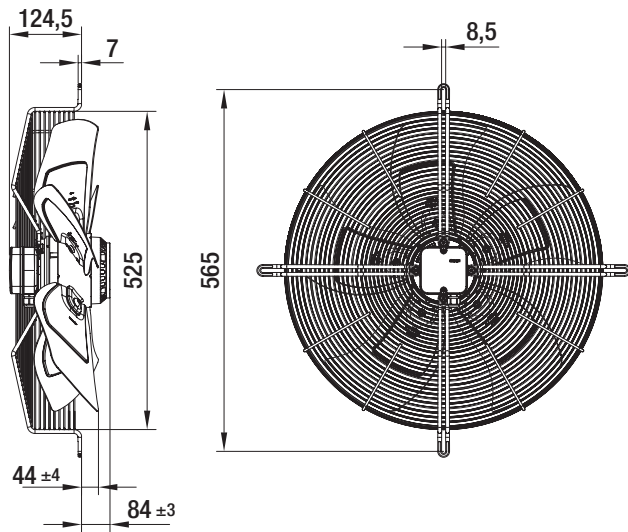
Type	S4D500-AD03-01				
Motor	M4D110-GF				
Phase		3~	3~	3~	3~
Nominal voltage	[V]	400	400	480	480
Connection		$\Delta$	Y	$\Delta$	Y
Frequency	[Hz]	50	50	60	60
Type of data definition		ml	ml	ml	ml
Valid for approval / standard		CE	CE	CE	CE
Speed	[min <sup>-1</sup> ]	1325	1035	1570	1170
Power input	[W]	820	550	1220	770
Current draw	[A]	1.59	0.95	1.86	1.13
Max. back pressure	[Pa]	160	100	150	84
Max. ambient temperature	[°C]	80	80	50	50
Air flow	[m <sup>3</sup> /h]	9590	8120	11300	8970
Back pressure	[Pa]	0	0	0	0
Sound pressure level	[dB(A)]	71		74	

ml = max. load · me = max. efficiency · rfa = running at free air · cs = customer specs · cu = customer unit  
Subject to alterations

## Technical features

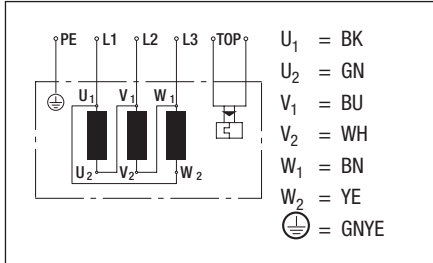
Leakage current	<= 3,5 mA
Size	500 mm
Operation mode	S1
Mounting position	Any
Electrical leads	Via terminal box
Blade angle	0 °
Direction of air flow	"V"
Insulation class	"F"
Cable exit	Axial
Condensate discharge holes	On rotor and stator sides
Bearing-motor	Ball bearing
Mass	15.5 kg
Material of terminal box	ABS plastic, black
Material of blades	Die-cast aluminum
Material of guard grille	Steel, phosphated and coated in black plastic
Motor protection	Thermal overload protector (TOP) brought out
Product conforming to standard	CE; EN 61800-5-1
Surface of rotor	Cast in aluminum
Number of blades	5
Type of protection	IP 54
Protection class	I
Approval	GOST; VDE

Product drawing

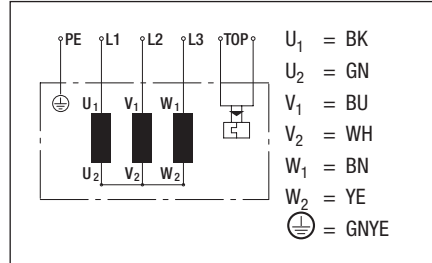


## Connection screen

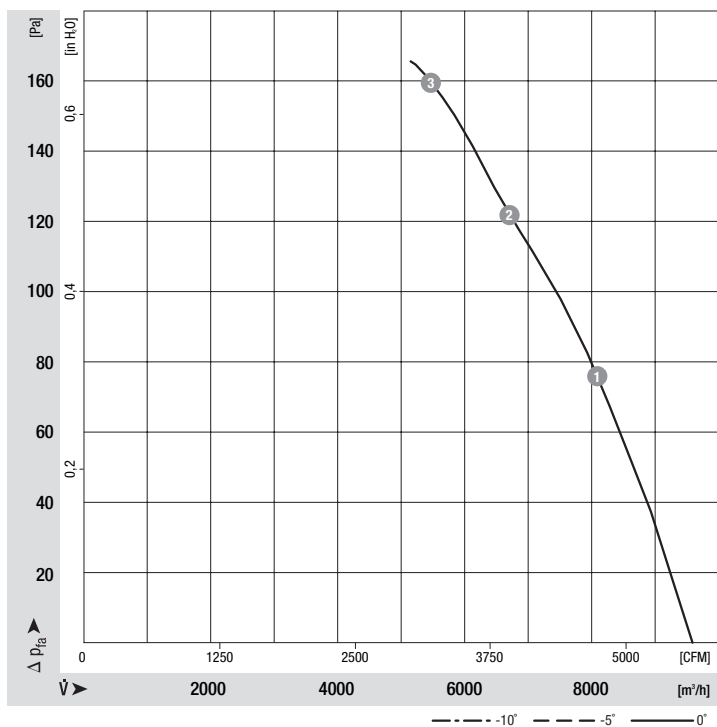
Delta



Star



## Charts: Air flow



	n	P <sub>1</sub>	I	LwA <sub>ss</sub>
	[min <sup>-1</sup> ]	[W]	[A]	[dB(A)]
1	1355	0.7	1.39	77
2	1345	75	1.44	78
3	1325	820	1.59	80