

# AC axial fan

S series



- **Design:** Basket guard grille
- **Impeller material:** Sheet steel (enameled in black)
- **Bearings:** Maintenance-free ball bearings

## Nominal data

Type	Motor	Voltage 3 - VAC	Frequency Hz	Air flow m <sup>3</sup> /h	Speed 1/min	Power consumption W	Current draw A	Sound pressure level dB(A)	Operative range 50Hz Pa	Ambient temperature 50Hz °C	Weight kg
S4D400AP1203	M4D074EI	230/400	50	4000	1450	135	0.44	68	0 .. 150	-25 .. 40	4.2

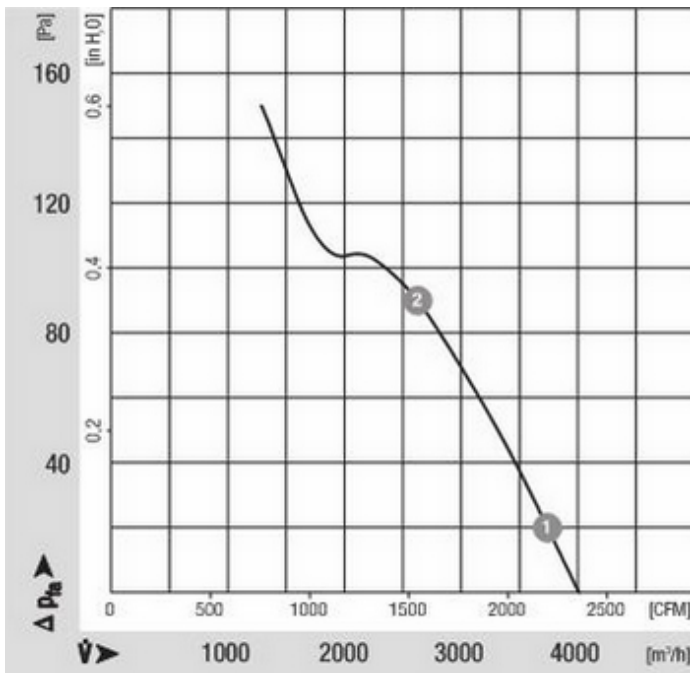
Subject to modification

Current draw at 230 VAC higher by a factor of 1.73

## Characteristic: Pressure over air flow at 50Hz

n [1/min]	P <sub>1</sub> [W]	I [A]	LpA [dBA]	ntL [%]
--------------	-----------------------	----------	--------------	------------

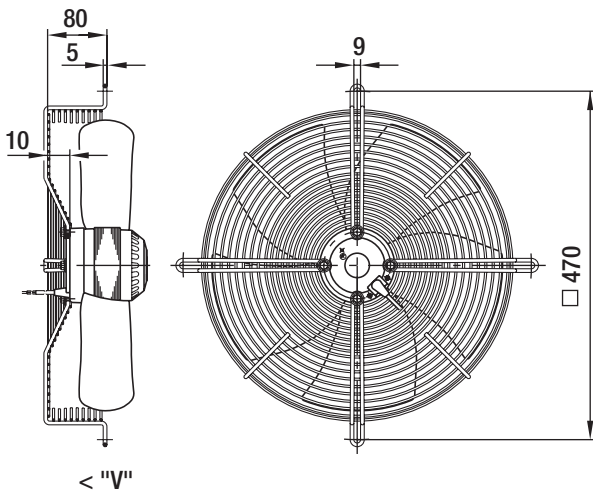
1	1440	152	--	--	--
2	1415	195	--	--	--



# AC axial fan

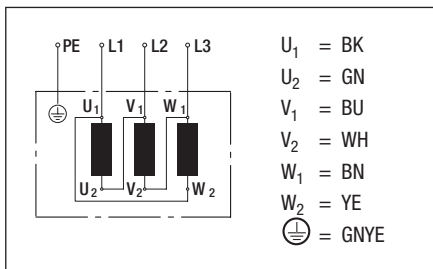
S series

## Specific drawing

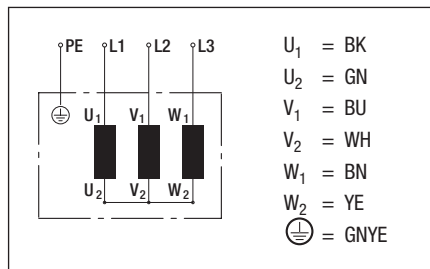


## Connection illustration

Delta (3~ 230 VAC)



Star (3~ 400 VAC)



## Technical description

- **Design:** Basket guard grille
- **Bearings:** Maintenance-free ball bearings
- **Direction of flow:** "V"
- **Cable layout:** Variable
- **Insulation class:** "B"
- **System of protection:** IP 44
- **Impeller material:** Sheet steel (enameled in black)
- **Direction of rotation:** Left, looking at rotor
- **Number of impeller blades:** 5
- **Operating mode:** S1
- **Protection class:** I
- **Option:** Available on request as 400 VAC (triangle/star) for 2 speed stages; with terminal box

## Contact

ebm-papst Mulfingen GmbH & Co. KG

Bachmühle 2

D-74673 Mulfingen

Phone +49 (0) 79 38 / 81-0

Fax +49 (0) 79 38 / 81-110

info1@de.ebmpapst.com

www.ebmpapst.com