

# AC centrifugal fan

Series RG 90 135 x 135 x 38



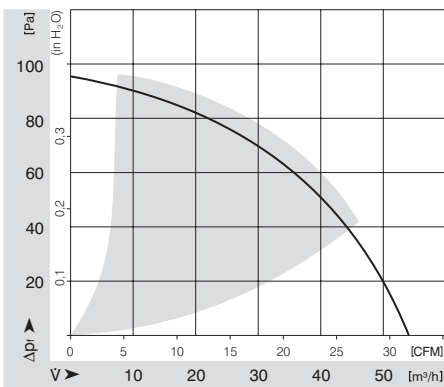
- **General description:** AC fan with external rotor shaded-pole motor.
- **Impeller material:** Fiberglass-reinforced plastic
- **Housing material:** Spiral housing of fiberglass-reinforced plastic, housing base of galvanized sheet steel.

## Nominal data

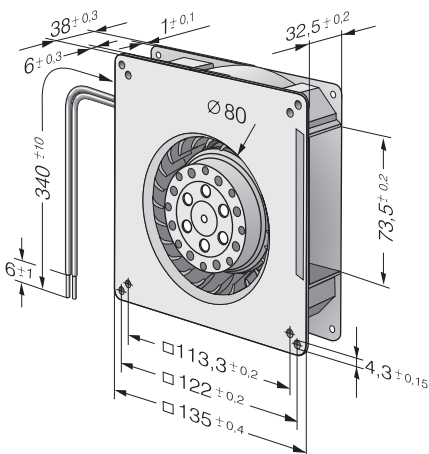
Type	Motor	Voltage VAC	Frequency Hz	Air flow m³/h	Speed 1/min	Power consumption W	Sound level Bel	Ambient temperature °C	L10 service life at 40 °C h	L10 service life at max. temp. h	Weight kg
RG 90-18/50	--	230	50	54	2200	22.0	5.8	-30 .. 60	35000	20000	0.560

Subject to modification

## Characteristic: Pressure over air flow



## Specific drawing



# AC centrifugal fan

Series RG 90 135 x 135 x 38

## Technical description

- **General description:** AC fan with external rotor shaded-pole motor.
- **Housing material:** Spiral housing of fiberglass-reinforced plastic, housing base of galvanized sheet steel.
- **Direction of rotation:** Right, looking at rotor
- **Electrical connection:** 2 single strands AWG 22
- **Approvals:** VDE, CSA, UL, CE
- **Impeller material:** Fiberglass-reinforced plastic
- **Bearings:** Sintec sleeve bearing system
- **Direction of air flow:** Centrifugal, air exhaust out of housing window
- **Motor protection:** Protected from overload using impedance protection

## Contact

### ebm-papst St. Georgen GmbH & Co. KG

Hermann-Papst-Straße 1

D-78112 St. Georgen

Phone +49 (0) 7724 / 81-0

Fax +49 (0) 7724 / 81-1309

info2@de.ebmpapst.com

www.ebmpapst.com