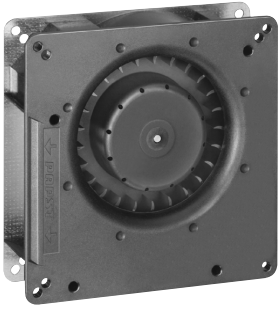


RG 90-18/12 N

DC centrifugal compact fan

single-intake



ebm-papst St. Georgen GmbH & Co. KG

Hermann-Papst-Str. 1
D-78112 St. Georgen
Phone +49 (0) 7724 81-0
Fax +49 (0) 7724 81-1309
info2@de.ebmpapst.com
www.ebmpapst.com

Nominal data

Type	RG 90-18/12 N	
Nominal voltage	VDC	12
Nominal voltage range	VDC	7 .. 15
Speed (rpm)	min ⁻¹	2200
Power consumption	W	6.7
Min. ambient temperature	°C	-30
Max. ambient temperature	°C	75
Air flow	m ³ /h	55
Sound power level	B	5.5

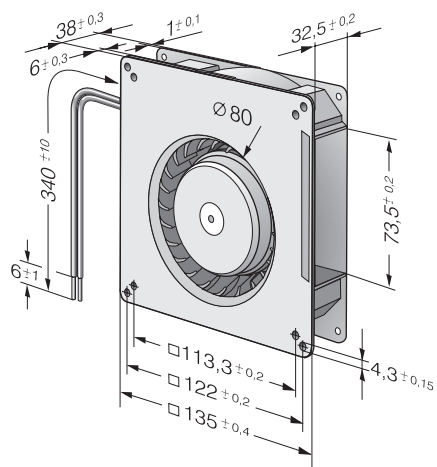
ml = Max. load · me = Max. efficiency · fa = Free air · cs = Customer specification · ce = Customer equipment
Subject to change



Technical description

General description	Forward-curved impeller
Weight	0.440 kg
Dimensions	135 x 135 x 38 mm
Impeller material	Glass-fiber reinforced plastic
Housing material	Scroll housing made of glass-fiber reinforced plastic, housing base made of sheet steel.
Airflow direction	Axial intake, radial discharge from outlet.
Storage	Ball bearing
Service life L10 at 40 °C	62500 h
Service life L10 at maximum temperature	27500 h
Cable	With leads AWG 22, TR 64
Motor protection	Protected against reverse polarity. The fan only starts when connected with correct polarity.
Locked-rotor protection	Protection against reverse polarity and blocked rotor.
Approval	VDE, CSA, UL, CE

Product drawing



Curves: Air performance

