

RER 125-19/56

AC centrifugal compact fan

single inlet



ebm-papst St. Georgen GmbH & Co. KG

Hermann-Papst-Straße 1

78112 St. Georgen

Phone: +49 7724 81-0

Fax: +49 7724 81-1309

www.ebmpapst.com

info2@de.ebmpapst.com

Nominal data

Type	RER 125-19/56	
Nominal voltage	[VAC]	230
Frequency	[Hz]	50
Speed	[min ⁻¹]	2600
Power input	[W]	19.0
Min. ambient temperature	[°C]	-30
Max. ambient temperature	[°C]	60
Air flow	[m ³ /h]	104
Sound power level	[B]	6.2

mi = max. load · me = max. efficiency · rfa = running at free air · cs = customer specs · cu = customer unit
Subject to alterations

AC centrifugal compact fan

single inlet

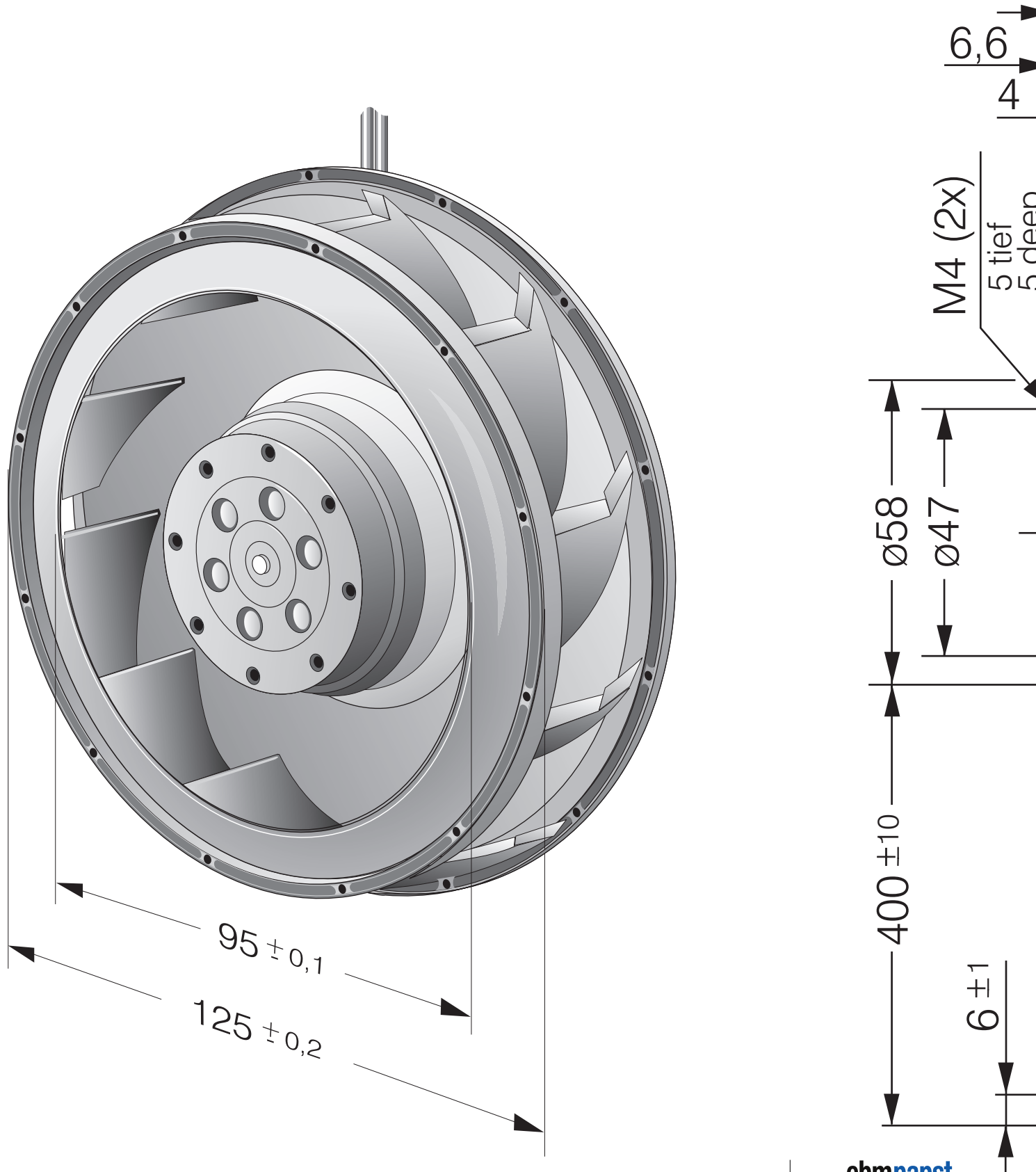
Technical features

Dimensions	138 Ø x 40 mm
General description	AC centrifugal fan with external rotor shaded-pole motor
Connection line	2 single strands AWG 22
Direction of protection	Right, looking at rotor
Direction of air flow	Centrifugal
Bearing	Ball bearings
Lifetime L10 at 40 °C	37500 h
Lifetime L10 at maximum temperature	22500 h
Mass	0.500 kg
Material of impeller	Fiberglass-reinforced plastic reinforced with sheet steel.
Motor protection	Protected from overload using impedance protection
Approval	VDE, CSA, UL, CE

AC centrifugal compact fan

single inlet

Product drawing



Charts: Air flow

