

R2E133-BH66-07

AC centrifugal fan

backward curved, single inlet



ebm-papst Mulfingen GmbH & Co. KG

Bachmühle 2

74673 Mulfingen

Phone: +49 7938 81-0

Fax: +49 7938 81-110

www.ebmpapst.com

info1@de.ebmpapst.com

Nominal data

Type	R2E133-BH66-07		
Motor	M2E052-BF		
Phase		1~	1~
Nominal voltage	[V]	230	230
Frequency	[Hz]	50	60
Type of data definition		rfa	rfa
Valid for approval / standard		CE	CE
Speed	[min ⁻¹]	2700	3200
Power input	[W]	25	28
Current draw	[A]	0.11	0.13
Motor capacitor	[μF]	1	1
Capacitor voltage	[VDB]	400	400
Min. back pressure	[Pa]	0	0
Max. ambient temperature	[°C]	55	65
Air flow	[m ³ /h]	240	280
Back pressure	[Pa]	0	0
Sound pressure level	[dB(A)]	53	56

ml = max. load · me = max. efficiency · rfa = running at free air · cs = customer specs · cu = customer unit
Subject to alterations

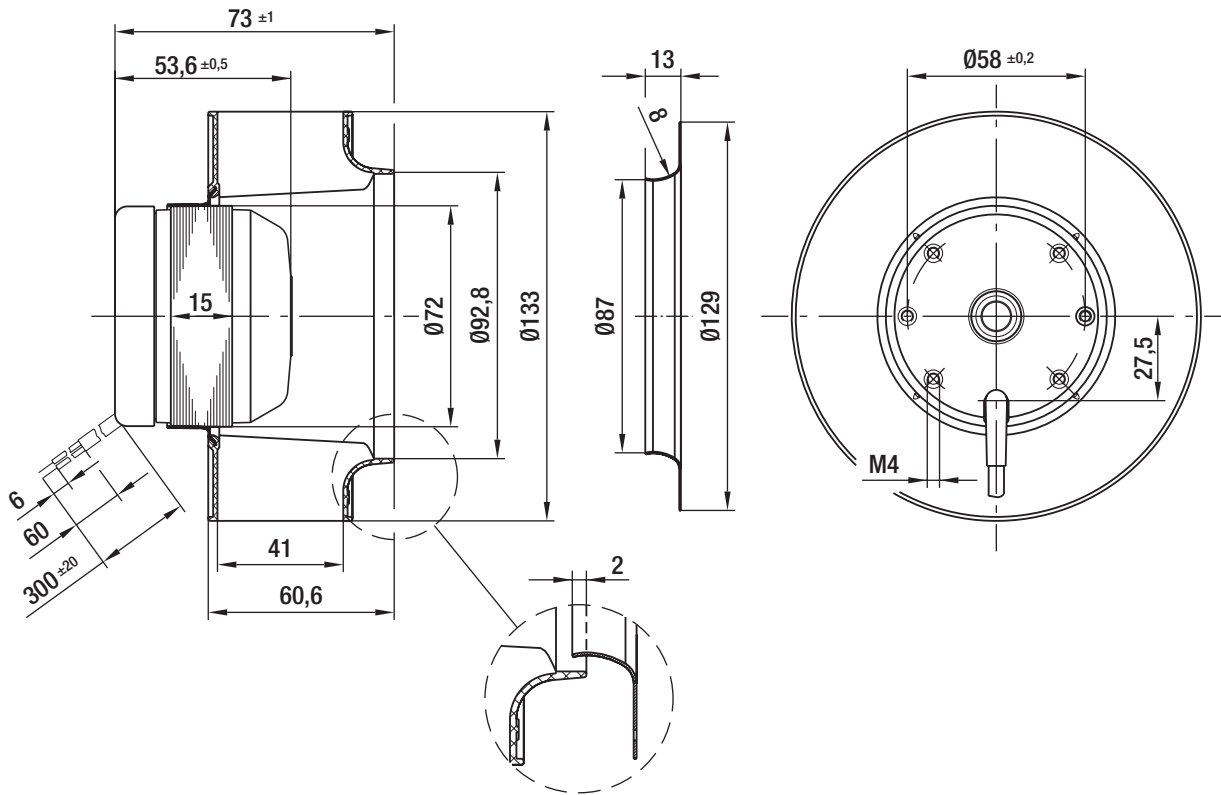
Technical features

Leakage current	< 0,75 mA
Size	133 mm
Operation mode	Continuous operation (S1)
Direction of rotation	Clockwise, seen on rotor
Insulation class	"B"
Cable exit	Variable
Motor capacitor	P0
Bearing-motor	Ball bearing
Mass	0.7 kg
Material of electronics housing	Rotor: Partially cast in aluminum
Material of impeller	PA plastic 6.6, fiberglass-reinforced
Motor protection	Thermal overload protector (TOP) wired internally
Product conforming to standard	CE
Number of blades	7
Type of protection	IP 44
Protection class	I
Approval	CCC; GOST

AC centrifugal fan

backward curved, single inlet

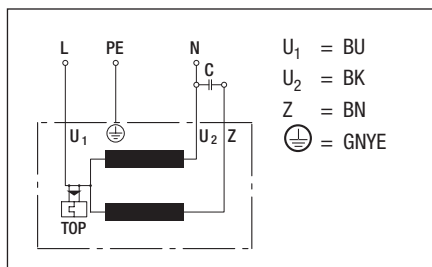
Product drawing



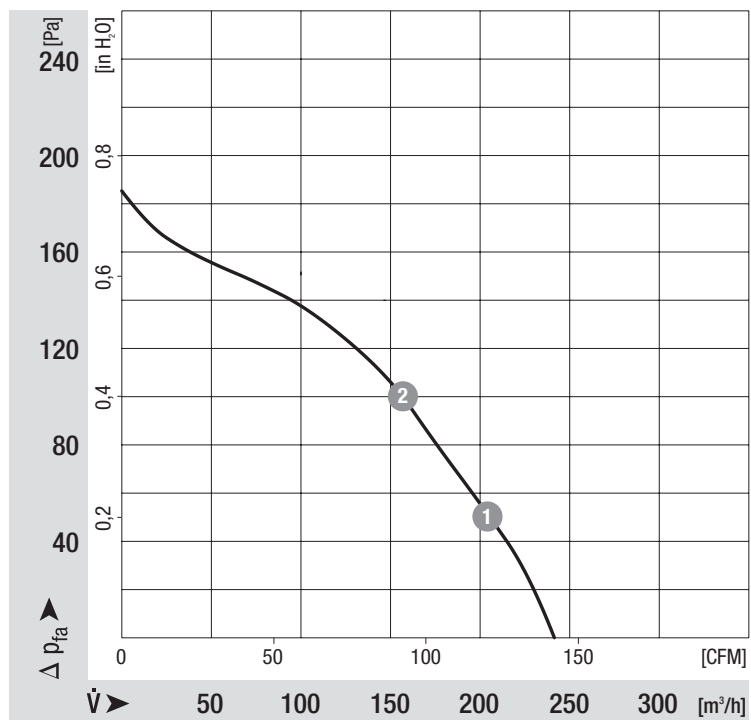
AC centrifugal fan

backward curved, single inlet

Connection screen



Charts: Air flow 50 Hz



	n	P ₁	I
	[min ⁻¹]	[W]	[A]
1	2680	25	0.11
2	2680	25	0.11

Charts: Air flow 60 Hz

