

ebm-papst Mulfingen GmbH & Co. KG

Bachmühle 2 · D-74673 Mulfingen

Phone +49 7938 81-0

Fax +49 7938 81-110

info1@de.ebmpapst.com

www.ebmpapst.com

Limited partnership · Headquarters Mulfingen

County court Stuttgart · HRA 590344

General partner Elektrobau Mulfingen GmbH · Headquarters Mulfingen

County court Stuttgart · HRB 590142

Nominal data

| | | | |
|-------------------------------|-----------------------|------|------|
| Type | M4Q045-EA01-01 | | |
| Motor | M4Q045-EA | | |
| Phase | | 1~ | 1~ |
| Nominal voltage | VAC | 230 | 230 |
| Frequency | Hz | 50 | 60 |
| Type of data definition | | me | me |
| Valid for approval / standard | | CE | CE |
| Speed | min ⁻¹ | 1300 | 1550 |
| Power input | W | 90 | 80 |
| Power output | W | 25 | 26 |
| Current draw | A | 0.62 | 0.55 |
| Rated torque | Ncm | 18.5 | 16 |
| Medium start-up torque | Ncm | 8.5 | 6.5 |
| Min. ambient temperature | °C | -20 | -20 |
| Max. ambient temperature | °C | 40 | 40 |
| Starting current | A | 0.9 | 0.75 |

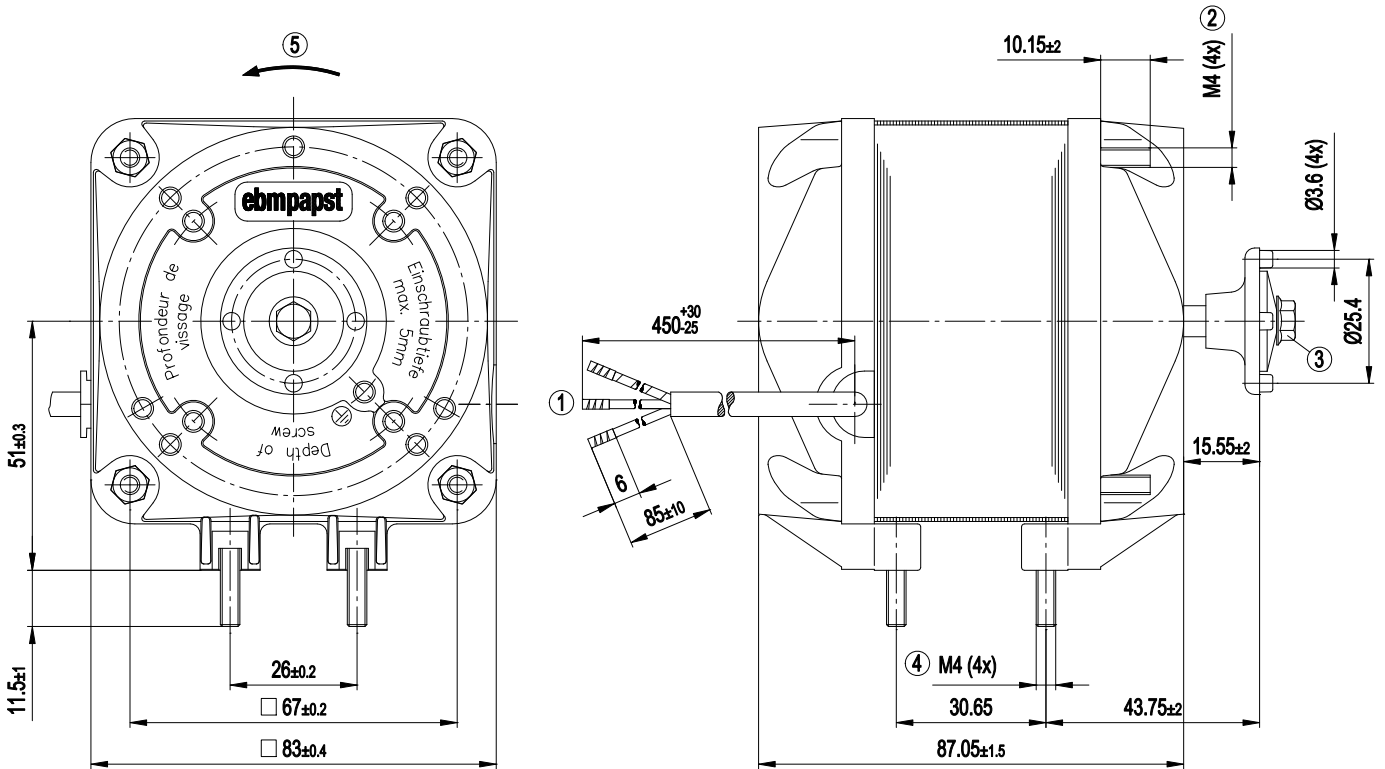
ml = max. load · me = max. efficiency · fa = running at free air · cs = customer specs · cu = customer unit
Subject to alterations



Technical features

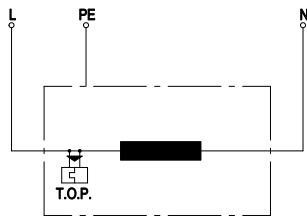
| | |
|---|---|
| Mass | 1.9 kg |
| Size | 45 mm |
| Surface of rotor | Uncoated |
| Material of end shield | Die-cast aluminium |
| Direction of rotation | Counter-clockwise, seen on rotor |
| Type of protection | IP 42; Depending on installation and position |
| Insulation class | "B" |
| Max. permissible ambient motor temp. (transp./ storage) | + 80 °C |
| Min. permissible ambient motor temp. (transp./storage) | - 40 °C |
| Mounting position | Shaft horizontal |
| Condensate discharge holes | None |
| Operation mode | S1 |
| Motor bearing | Calotte bearing |
| Touch current acc. IEC 60990 (measuring network Fig. 4, TN system) | < 0.75 mA |
| Motor protection | Thermal overload protector (TOP) wired internally |
| Cable exit | Lateral |
| Protection class | I (if protective earth is connected by customer) |
| Product conforming to standard | EN 60335-1; CE |
| Approval | VDE |

Product drawing



- | | |
|---|--|
| 1 | Connection line PVC 3G 0.5 mm ² , 3x brass lead tips crimped |
| 2 | Nut tightening torque, for fastening the wall ring or guard grille: 2.3 Nm |
| 3 | Screw tightening torque, for fastening the impeller: 1.4 Nm |
| 4 | Nut tightening torque, for fastening the mounting bracket: 2.3 Nm |
| 5 | Direction of rotation counter-clockwise, seen on shaft end |

Connection screen



| | |
|-----|------------------------------|
| L | = blue |
| PE | = green / yellow |
| N | = brown |
| TOP | = Thermal overload protector |

Charts: Speed

