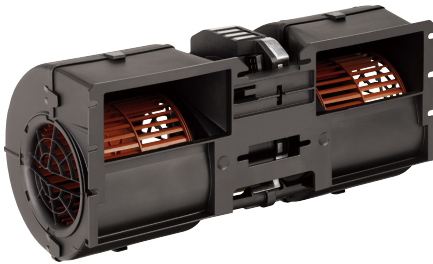


K3G097-BK34-43

EC dual centrifugal fan

forward curved, dual inlet
with housing, Automotive



ebm-papst Mulfingen GmbH & Co. KG

Bachmühle 2

D-74673 Mulfingen

Phone: +49(0)7938/81-0

Fax: +49(0)7938/81-110

info1@de.ebmpapst.com

www.ebmpapst.com

Nominal data

Type	K3G097-BK34-43	
Motor	M3G074-CF	
Nominal voltage	VDC	26
Nominal voltage range	VDC	16 .. 32
Type of data definition		rfa
Speed	min ⁻¹	3940
Power input	W	345
Current draw	A	13.25
Max. ambient temperature	°C	70

ml = max. load · me = max. efficiency · rfa = running at free air · cs = customer specs · cu = customer unit
Subject to alterations

EC dual centrifugal fan

forward curved, dual inlet
with housing, Automotive

Technical features

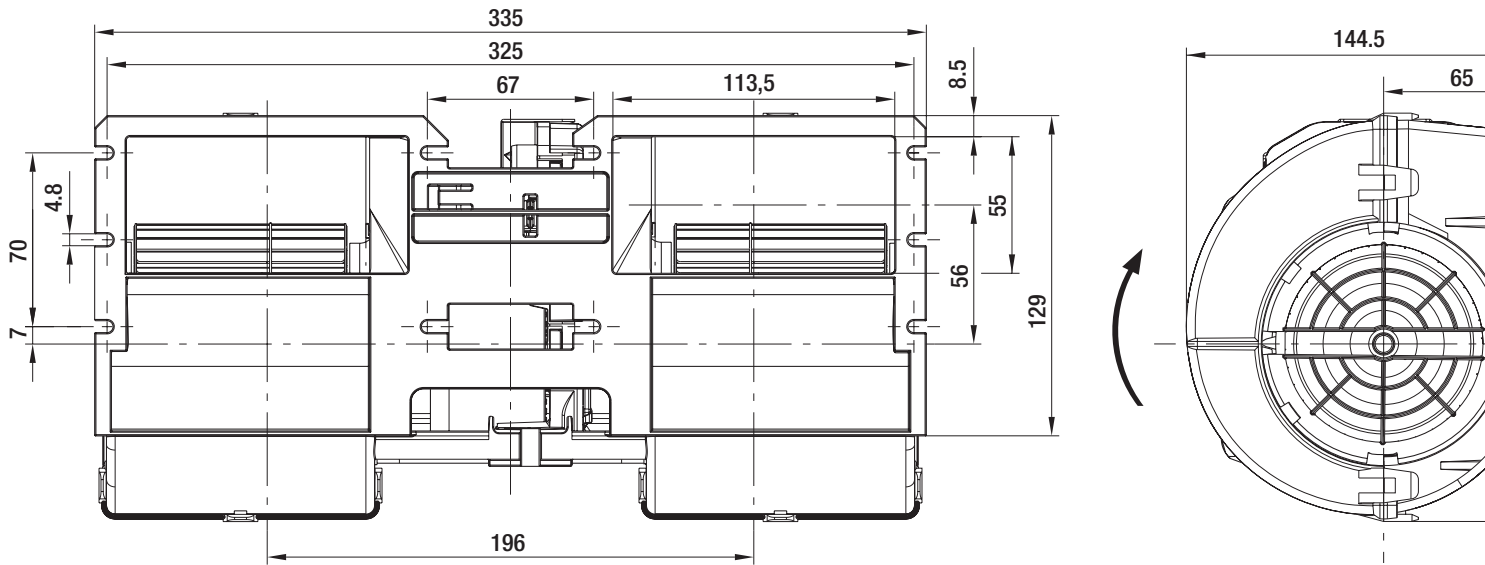
Leackage current	<= 0.25 mA
Size	97 mm
Operation mode	S1
Direction of rotation	Clockwise, seen on rotor
Electrical leads	With plug
Humidity class	F3-2
Insulation class	"B"
Cooling bore / aperture	Rotor-side
Motor bearing	Ball bearing
Mass	2.3 kg
Housing material	PP plastic, color: black (in accordance with UL 94 HB)
Material of impeller	PA plastic
Motor protection	Reverse polarity and locked-rotor protection
Type of protection	IP 24 KM
Approval	E1

K3G097-BK34-43

EC dual centrifugal fan

forward curved, dual inlet
with housing, Automotive

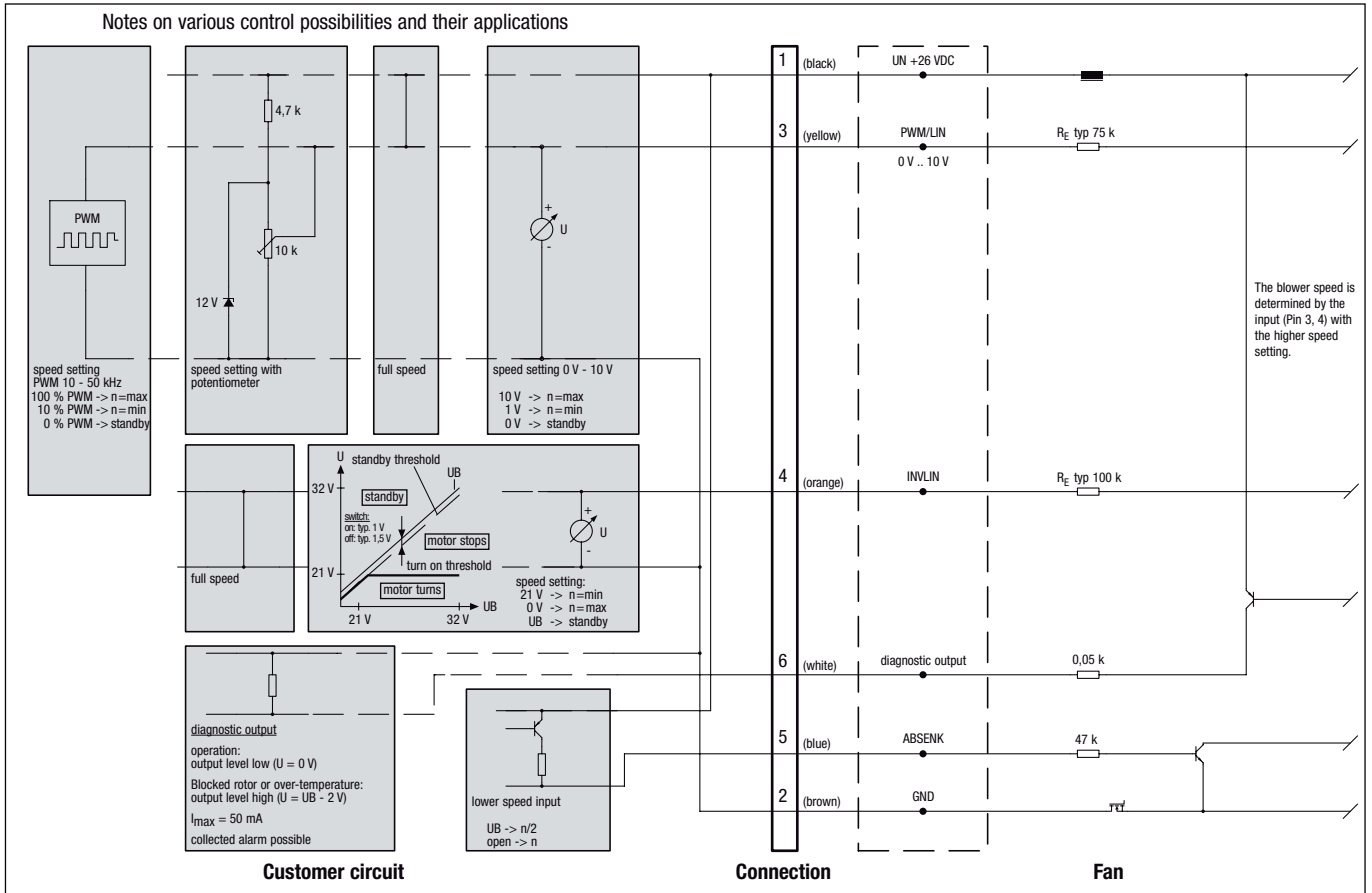
Product drawing



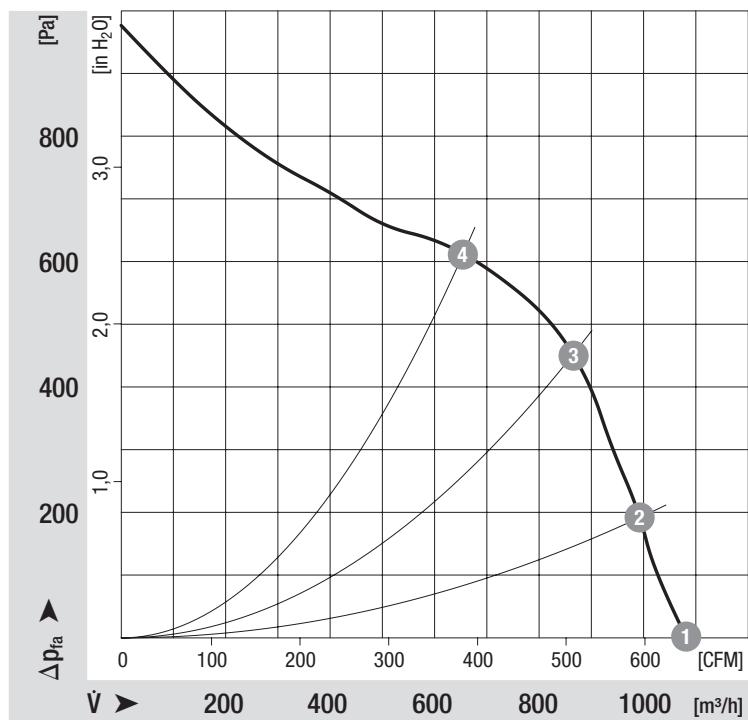
EC dual centrifugal fan

forward curved, dual inlet
with housing, Automotive

Connection screen



Charts: Air flow



Measured values

	n	P ₁	η_{Ges}
	min ⁻¹	W	%
1	3940	345	30
2	4100	329	39
3	4460	322	49
4	4800	277	48