

K3G097-AK28-75

EC dual centrifugal fan

forward-curved, with brushless DC motor
with housing, Automotive



ebm-papst Mulfingen GmbH & Co. KG

Bachmühle 2 · D-74673 Mulfingen

Phone +49 7938 81-0

Fax +49 7938 81-110

info1@de.ebmpapst.com

www.ebmpapst.com

Limited partnership · Headquarters Mulfingen

Amtsgericht (court of registration) Stuttgart · HRA 590344

General partner Elektrobau Mulfingen GmbH · Headquarters Mulfingen

Amtsgericht (court of registration) Stuttgart · HRB 590142

Nominal data

Type	K3G097-AK28-75	
Motor	M3G074-CF	
Nominal voltage	VDC	26
Nominal voltage range	VDC	16 .. 32
Method of obtaining data		fa
Status		prelim.
Speed (rpm)	min ⁻¹	3600
Power consumption	W	352
Current draw	A	13.2
Min. back pressure	Pa	0
Min. back pressure	in. wg	0
Min. ambient temperature	°C	-40
Max. ambient temperature	°C	70

ml = Max. load · me = Max. efficiency · fa = Free air · cs = Customer specification · ce = Customer equipment
Subject to change



EC dual centrifugal fan

forward-curved, with brushless DC motor
with housing, Automotive

Technical description

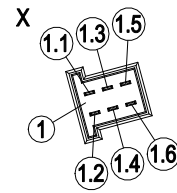
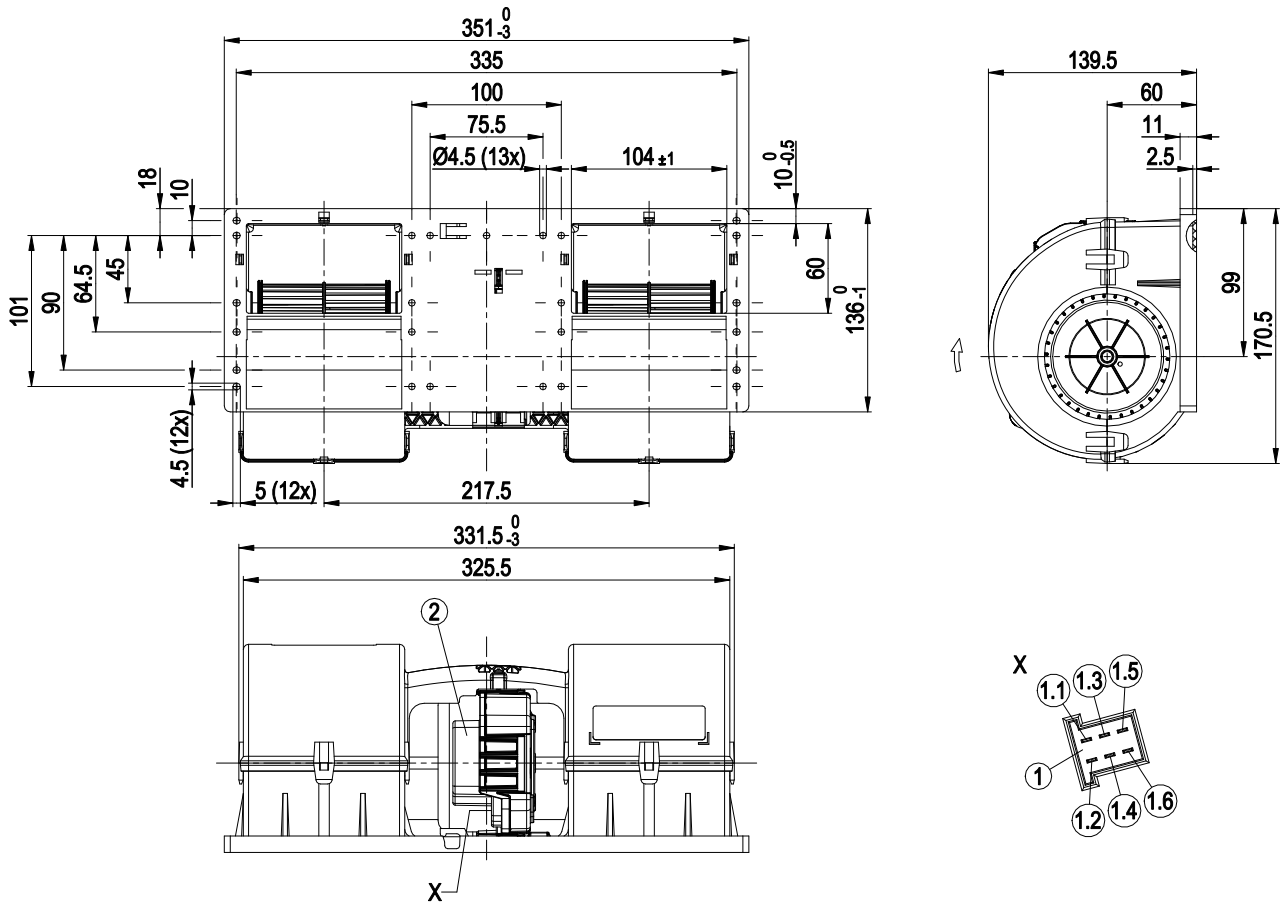
Weight	2.2 kg
Size	97 mm
Motor size	74
Impeller material	PA plastic UL94 HB (black)
Housing material	PP plastic (black)
Balancing grade according to DIN ISO 21940-11	G 6.3
Direction of rotation	Clockwise, viewed toward rotor
Degree of protection	Motor IP24 KM
Insulation class	"B"
Moisture (F) / Environmental (H) protection class	H1
Ambient temperature note	Occasional start-up at temperatures between -40°C and -25°C is permitted. For continuous operation at ambient temperatures below -25°C (such as refrigeration applications), use must be made of a fan design with special low-temperature bearings.
Max. permitted ambient temp. for motor (transport/storage)	+85 °C
Min. permitted ambient temp. for motor (transport/storage)	-40 °C
Installation position	Any
Cooling hole/opening	On rotor side
Mode	S1
Motor bearing	Ball bearing; (sealed)
Life expectancy	40,000 h (depending on load profile and ambient conditions)
Technical features	<ul style="list-style-type: none"> - Locked-rotor detection - Power limiter - Load dump (58 V) - Motor current limitation - Soft start - Control input 0-10 VDC / PWM - Temperature derating - Overvoltage detection - Thermal overload protection for electronics - Line undervoltage detection
Electrical hookup	Plug; Standby current less than 500 µA
Motor protection	Passive reverse polarity and locked-rotor protection
Protection class assignment	<p>III; Requires supply with safety extra-low voltage SELV.</p> <p>This component for installation may have several local protection classes. This information relates to this component's basic design.</p> <p>The final protection class is based on the component's intended installation and connection.</p>



EC dual centrifugal fan

forward-curved, with brushless DC motor
with housing, Automotive

Product drawing



1	6-pole header TE Junior Power Timer WE_9901118
1.1	+ UB
1.2	GND
1.3	PWM/LIN, 100% speed
1.4	80% speed
1.5	60% speed
1.6	not used
	Accessory part: Cable (460 mm) with mating connector, part no. 02001-4-1021 not included in scope of delivery 6-pole mating connector TE 929504-2, 4x plug contact TE 927771-1, 2x plug contact TE 927768-1
2	Electronics cover blue (RAL 5015)

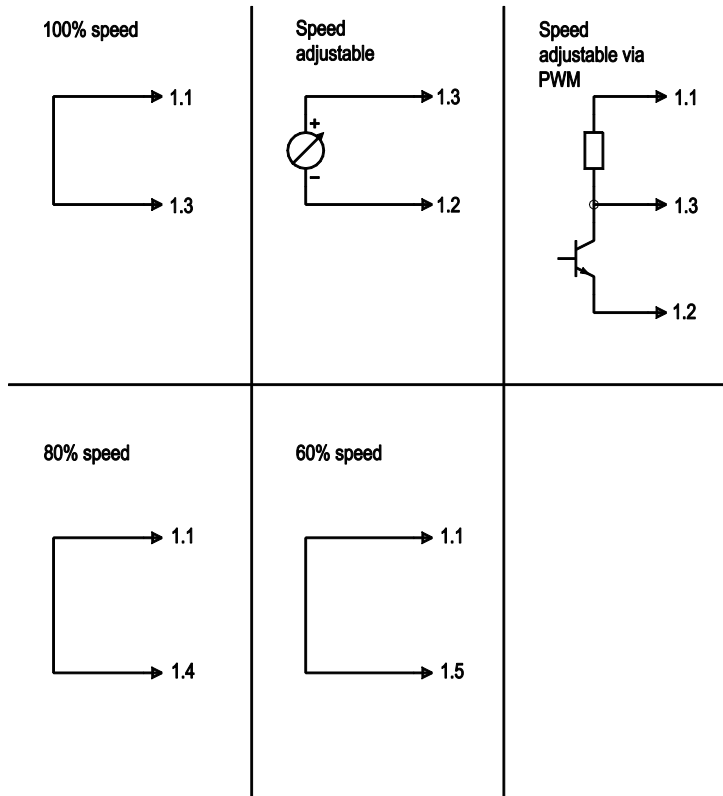


EC dual centrifugal fan

forward-curved, with brushless DC motor
with housing, Automotive

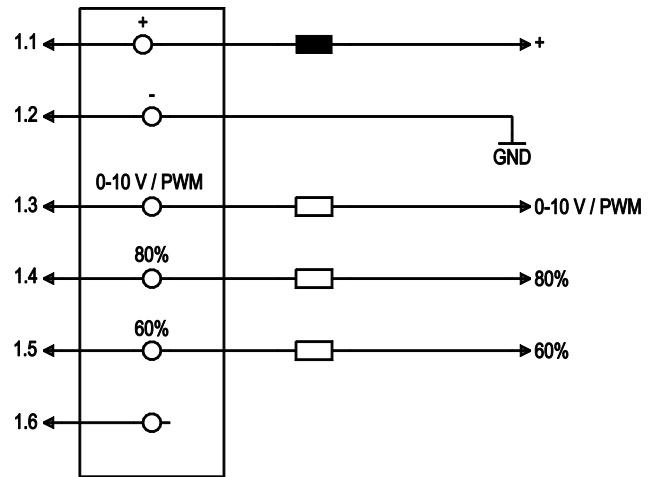
Connection diagram

Customer circuit



Connection

Fan/Motor



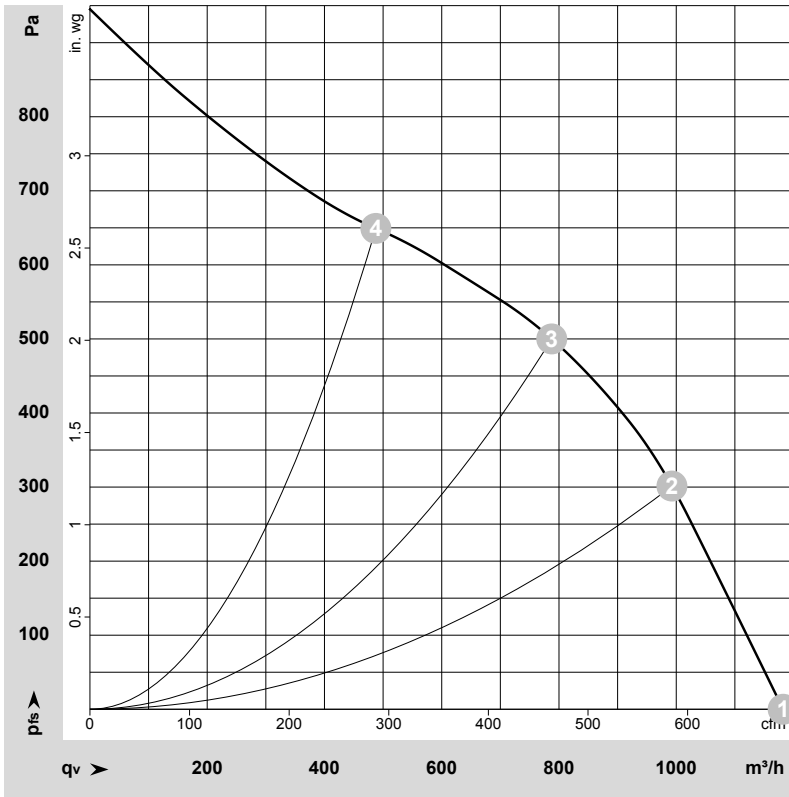
No.	Conn.	Designation	Function/assignment
	1.1	+	Power supply
	1.2	-	Power supply
	1.3	0-10 V / PWM	Control input: $R_i > 47\text{ k}\Omega$ 0-10 V (typ. $< 1\text{ V} \rightarrow n=0$; $1.2\text{ V} \rightarrow n=\text{min}$; $> 10\text{ V} \rightarrow n=\text{max}$) or PWM (amplitude = power supply; 10 kHz-50kHz)
	1.4	80%	Control input: $R_i > 47\text{ k}\Omega$ 80% speed level
	1.5	60%	Control input: $R_i > 47\text{ k}\Omega$ 60% speed level
	1.6		not used



EC dual centrifugal fan

forward-curved, with brushless DC motor
with housing, Automotive

Curves: Air performance



$\rho = 1.191 \text{ kg/m}^3 \pm 2 \%$

Measurement: LU-10663-2

Air performance measured according to ISO 5801 installation category A. For detailed information on the measurement setup, contact ebm-papst. Intake sound level: Sound power level according to ISO 13347 / sound pressure level measured at 1 m distance from fan axis. The values given are valid under the specified measuring conditions and may vary due to conditions of installation. For deviations from the standard configuration, the parameters have to be checked on the installed unit.

Measured values

	U	n	P _{ed}	I	LpA _{in}	LwA _{in}	LwA _{out}	LwA	q _v	p _{fs}	q _v	p _{fs}
	V	min ⁻¹	W	A	dB(A)	dB(A)	dB(A)	dB	m ³ /h	Pa	cfm	in. wg
1	26	3600	352	13.20	72	82	83	85	1180	0	695	0.00
2	26	4170	345	13.20	70	80	81	84	995	300	585	1.20
3	26	4445	291	11.21	70	80	80	83	790	500	465	2.01
4	26	4795	211	8.11	71	80	79	83	490	650	285	2.61

U = Voltage · n = Speed (rpm) · P_{ed} = Power consumption · I = Current draw · LpA_{in} = Sound pressure level intake side · LwA_{in} = Sound power level intake side · LwA_{out} = Sound power level outlet side
q_v = Air flow · p_{fs} = Pressure increase

