

G4E250-DA09-03

AC centrifugal fan with housing (small flange)

forward curved, single inlet



ebm-papst Mulfingen GmbH & Co. KG

Bachmühle 2

74673 Mulfingen

Phone: +49 7938 81-0

Fax: +49 7938 81-110

www.ebmpapst.com

info1@de.ebmpapst.com

Nominal data

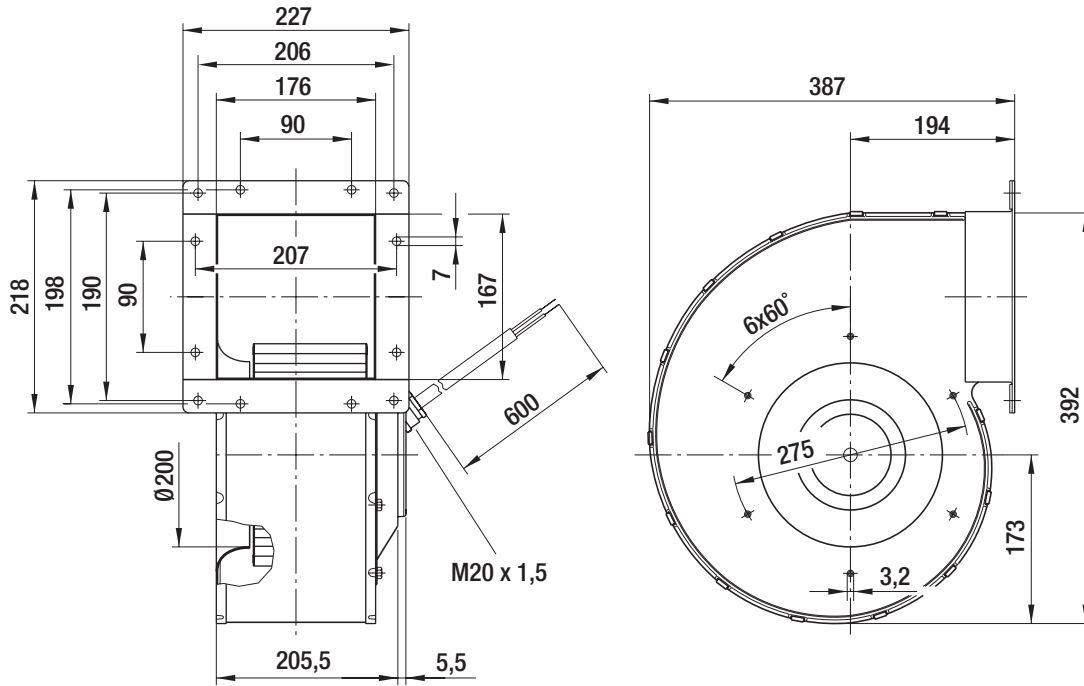
Type	G4E250-DA09-03		
Motor	M4E094-HA		
Phase		1~	1~
Nominal voltage	[V]	230	230
Frequency	[Hz]	50	60
Type of data definition		rfa	ml
Valid for approval / standard		CE	CE
Speed	[min ⁻¹]	1310	1470
Power input	[W]	570	690
Current draw	[A]	2.48	3.05
Motor capacitor	[μF]	10	10
Capacitor voltage	[VDB]	450	450
Min. back pressure	[Pa]	0	100
Max. ambient temperature	[°C]	70	55
Air flow	[m ³ /h]	2050	1930
Back pressure	[Pa]	0	100
Sound pressure level	[dB(A)]	74	75

ml = max. load · me = max. efficiency · rfa = running at free air · cs = customer specs · cu = customer unit
Subject to alterations

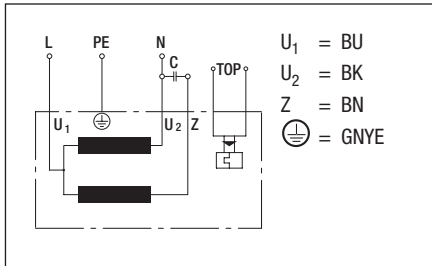
Technical features

Leakage current	<= 3,5 mA
Size	250 mm
Operation mode	Continuous operation (S1)
Direction of rotation	Clockwise, seen on rotor
Insulation class	"F"
Cable exit	Variable
Motor capacitor	UL
Bearing-motor	Ball bearing
Mass	12.7 kg
Housing material	Sendzimir galvanized sheet steel
Material of impeller	Sendzimir galvanized sheet steel
Motor protection	Thermal overload protector (TOP) brought out
Type of protection	IP 54
Protection class	I
Approval	CCC

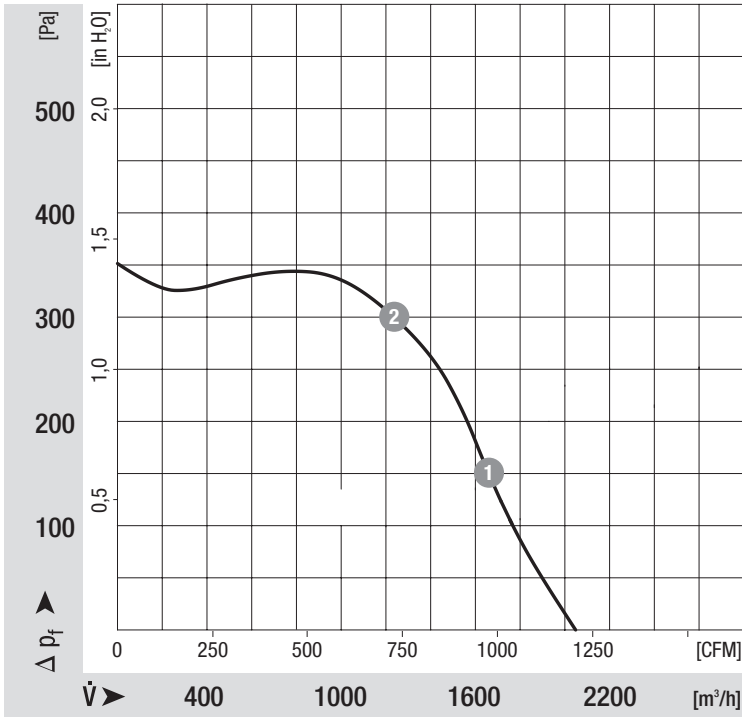
Product drawing



Connection screen



Charts: Air flow 50 Hz



	n	P ₁	I
	[min ⁻¹]	[W]	[A]
1	1370	448	2.25
2	1420	325	1.85

Charts: Air flow 60 Hz

