

AC centrifugal blower

Single inlet, forward curved



- **Impeller material:** Sendzimir galvanized sheet steel
- **Housing material:** Sendzimir galvanized sheet steel
- **Bearings:** Maintenance-free ball bearings

Nominal data

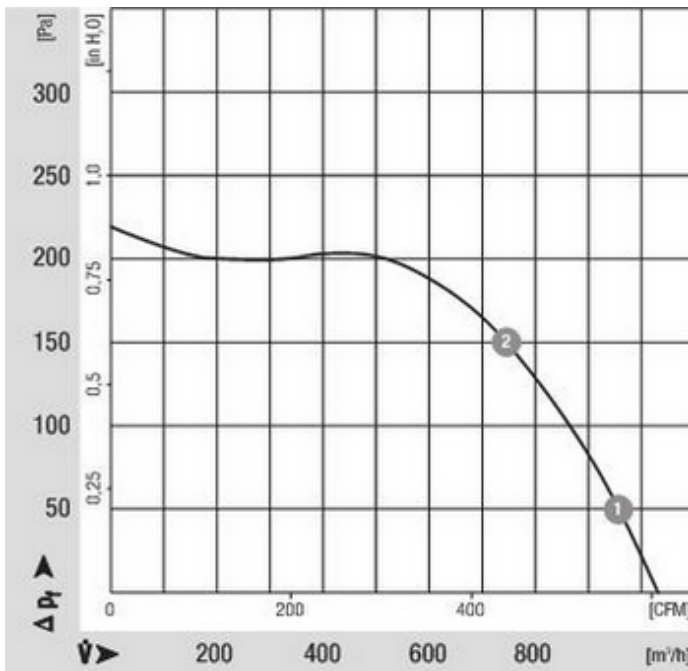
Type	Motor	Voltage 1 - VAC	Frequency Hz	Air flow m ³ /h	Speed 1/min	Power consumption W	Current draw A	Capacitor capacity uF/V	Sound pressure level dB(A)	Operative range 50Hz Pa	Ambient temperature 50Hz °C	Weight kg
G4E180GS1101	M4E074DF	230	50	1030	1130	180	0.80	4.0 / 400	66	0 .. 220	-25 .. 45	6.4

Subject to modification Measured with blow-off channel (length: 1 m - step diffuser)

Characteristic: Pressure over air flow at 50Hz

n	P ₁	I	LpA	ntL
[1/min]	[W]	[A]	[dBA]	[%]

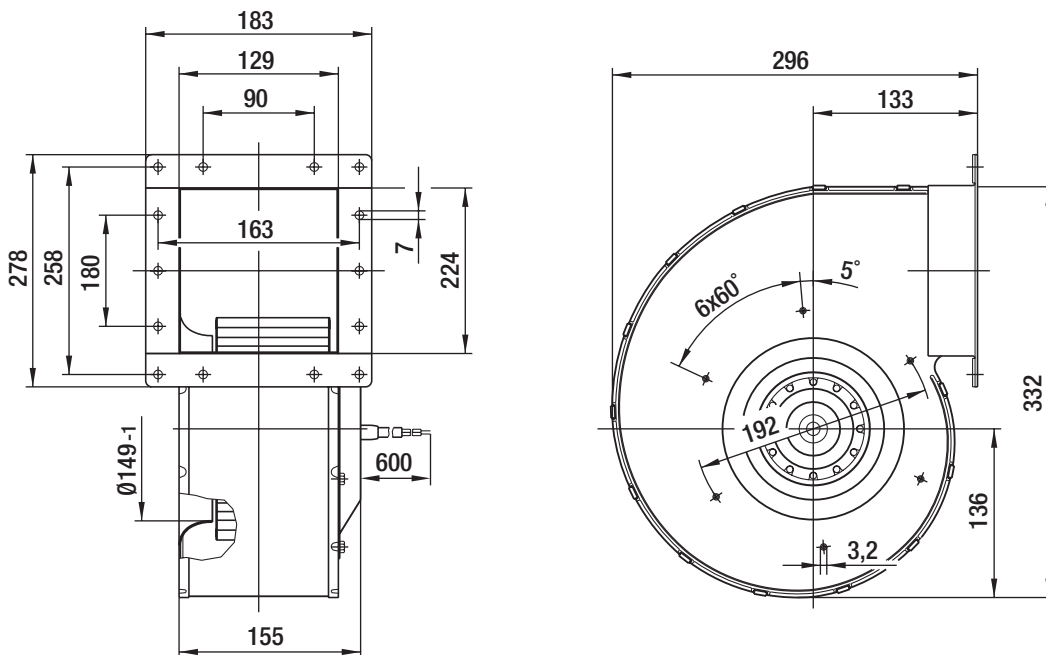
1	1210	160	0,71	--	--
2	1340	123	0,55	--	--



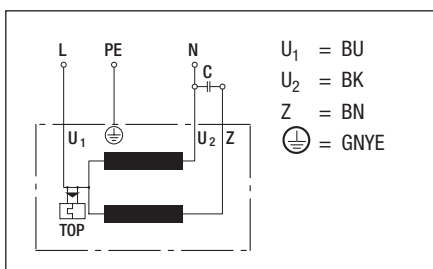
AC centrifugal blower

Single inlet, forward curved

Specific drawing



Connection illustration



Technical description

- **Impeller material:** Sendzimir galvanized sheet steel
- **Bearings:** Maintenance-free ball bearings
- **Electrical connection:** Brass lead tips
- **Guideline:** EN 60335-1, CE
- **Insulation class:** "B"
- **System of protection:** IP 44
- **Approvals:** CCC
- **Housing material:** Sendzimir galvanized sheet steel
- **Direction of rotation:** Clockwise, seen on rotor
- **Cable layout:** Variable
- **Operating mode:** Continuous operation (S1)
- **Protection class:** I
- **Motor protection:** TOP wired internally

Contact

ebm-papst Mulfingen GmbH & Co. KG
Bachmühle 2
D-74673 Mulfingen
Phone +49 (0) 79 38 / 81-0
Fax +49 (0) 79 38 / 81-110
info1@de.ebmpapst.com
www.ebmpapst.com