

# AC centrifugal blower

Single inlet, forward curved



- **Impeller material:** Sendzimir galvanized sheet steel
- **Housing material:** Die-cast aluminum
- **Bearings:** Maintenance-free ball bearings

## Nominal data

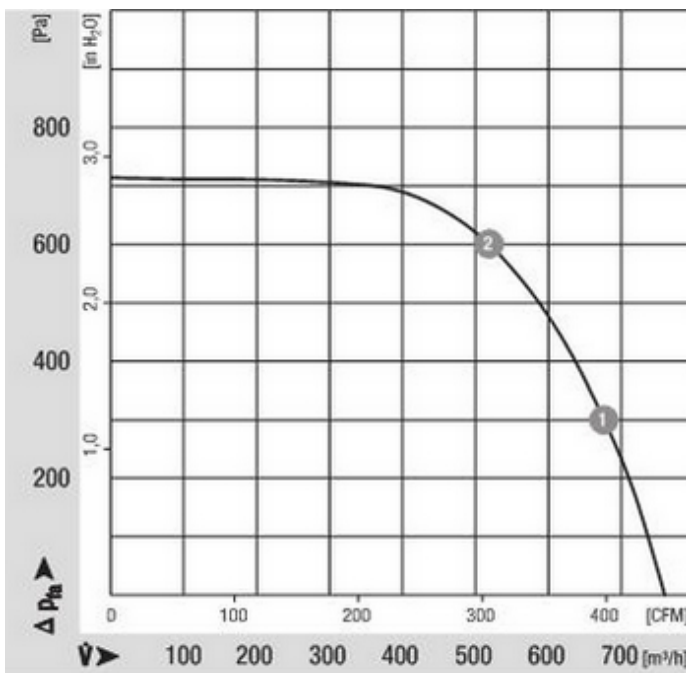
Type	Motor	Voltage 1 - VAC	Frequency Hz	Air flow m <sup>3</sup> /h	Speed 1/min	Power consumption W	Current draw A	Capacitor capacity uF/V	Sound pressure level dB(A)	Operative range 50Hz Pa	Ambient temperature 50Hz °C	Weight kg
G2E180EH0301	M2E074EI	230	50	760	1950	400	1.75	8.0 / 400	73	0 .. 710	-25 .. 40	5.6

Subject to modification

Characteristic: Pressure over air flow at 50Hz

n [1/min]	P <sub>1</sub> [W]	I [A]	LpA [dBA]	ntL [%]
--------------	-----------------------	----------	--------------	------------

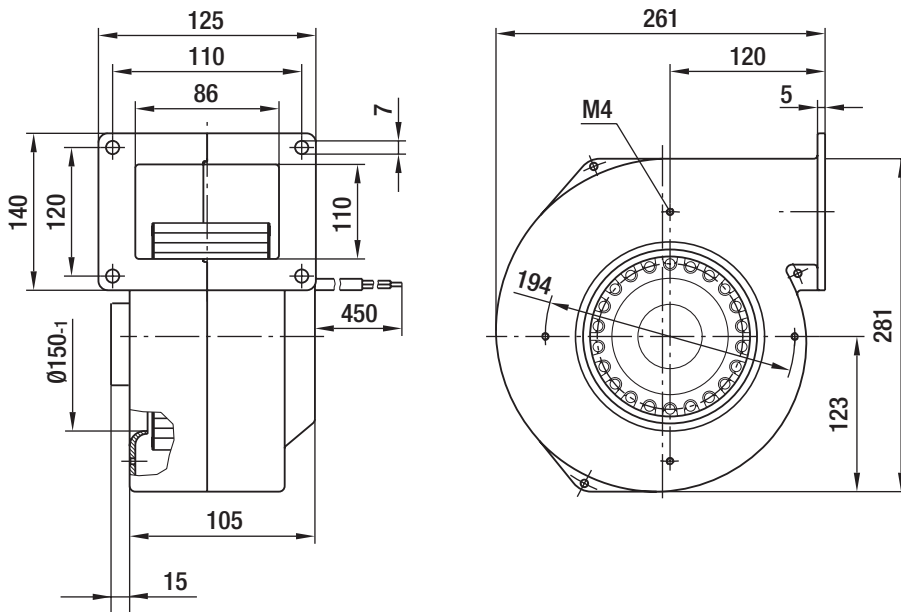
1	2290	335	--	--	--
2	2600	255	--	--	--



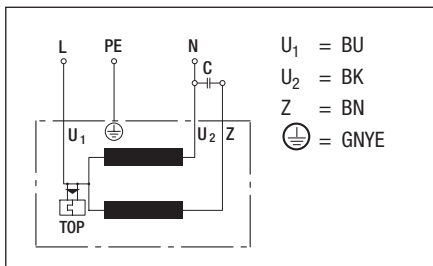
# AC centrifugal blower

Single inlet, forward curved

## Specific drawing



## Connection illustration



## Technical description

- **Impeller material:** Sendzimir galvanized sheet steel
- **Bearings:** Maintenance-free ball bearings
- **Insulation class:** "B"
- **System of protection:** IP 44
- **Housing material:** Die-cast aluminum
- **Operating mode:** S1
- **Protection class:** I
- **Approvals:** CE

## Contact

ebm-papst Mulfingen GmbH & Co. KG

Bachmühle 2

D-74673 Mulfingen

Phone +49 (0) 79 38 / 81-0

Fax +49 (0) 79 38 / 81-110

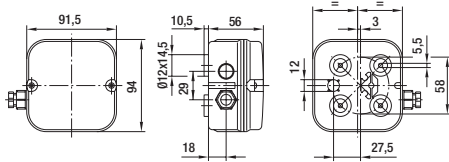
info1@de.ebmpapst.com

www.ebmpapst.com

# Terminal box

Order No.

64443-1-7612



## Technical description

- **General description:** 2-part terminal box for AC motors of size 074, with 4-pole terminal strip. Suitable for installation of a capacitor up to max. 10  $\mu$ F.  
- **System of protection:** IP 54

- **Material:** ABS

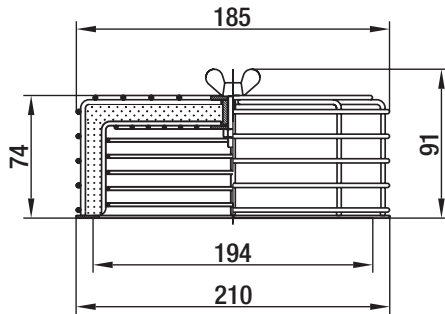
## Contact

ebm-papst Mulfingen GmbH & Co. KG  
Bachmühle 2  
D-74673 Mulfingen  
Phone +49 (0) 79 38 / 81-0  
Fax +49 (0) 79 38 / 81-110  
info1@de.ebmpapst.com  
www.ebmpapst.com

## Air filter

Order No.

95347-1-5171



### Technical description

- **General description:** Viledon Filter Type R, PSB / 29 OS (in accordance with DIN 24185), separation efficiency < 86 %, efficiency < 20 %, dust binding capacity 650 g/m<sup>2</sup>

- **Note:** Replacement filter order No. 95780-1-5171

- **Material:** Steel wire or sheet steel, plastic-coated in RAL No. 9005, black

### Contact

**ebm-papst Mulfingen GmbH & Co. KG**

Bachmühle 2

D-74673 Mulfingen

Phone +49 (0) 79 38 / 81-0

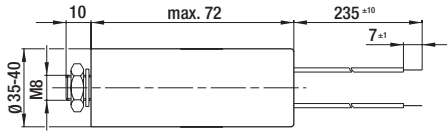
Fax +49 (0) 79 38 / 81-110

info1@de.ebmpapst.com

www.ebmpapst.com

# MKP motor capacitor (without fuse), 8.0 $\mu$ F

Order No.	Capacity
99286-4-7320	8.0 $\mu$ F



## Technical description

- **Material:** Housing of Thermoplast
- **Connecting cable:** Multi-core PVC wire 0.5 mm<sup>2</sup> (16 x 0.2 mm<sup>2</sup>) with wire-end clamp
- **Approvals:** VDE in accordance with DIN EN 60252 (VDE 0560/8)
- **Expected service life:** 400 VDB; -25 to +85°C; 30,000 hrs.; Class A  
450 VDB; -25 to +85°C; 10,000 hrs.; Class B

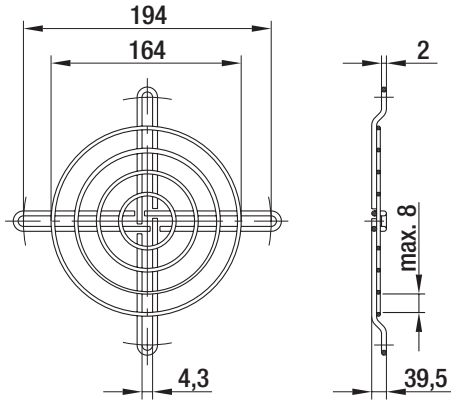
## Contact

ebm-papst Mulfingen GmbH & Co. KG  
Bachmühle 2  
D-74673 Mulfingen  
Phone +49 (0) 79 38 / 81-0  
Fax +49 (0) 79 38 / 81-110  
info1@de.ebmpapst.com  
www.ebmpapst.com

# Guard grille

Order No.

09526-2-4039



## Technical description

- **Material:** Steel wire, phosphated, plastic-coated in RAL No. 9005

## Contact

**ebm-papst Mulfingen GmbH & Co. KG**

Bachmühle 2

D-74673 Mulfingen

Phone +49 (0) 79 38 / 81-0

Fax +49 (0) 79 38 / 81-110

info1@de.ebmpapst.com

www.ebmpapst.com