

# AC centrifugal fan

backward curved, single inlet  
with housing and angle bracket

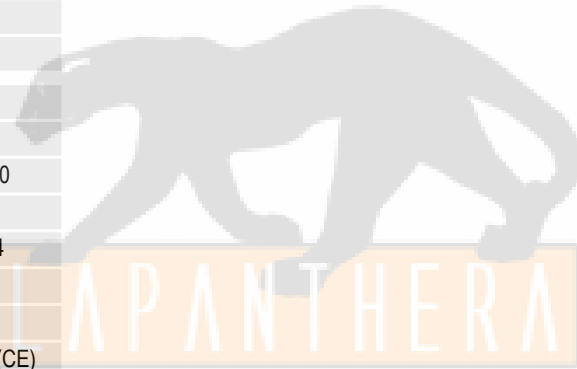
## ebm-papst Mulfingen GmbH & Co. KG

Bachmühle 2  
D-74673 Mulfingen  
Phone +49 7938 81-0  
Fax +49 7938 81-110  
info1@de.ebmpapst.com  
www.ebmpapst.com

### Nominal data

Type	G2E150-DN91-12	
Motor	M2E068-BF	
Phase		1~
Nominal voltage	VAC	230
Frequency	Hz	50
Type of data definition		rfa
Valid for approval / standard		CE
Speed	min <sup>-1</sup>	2550
Power input	W	30
Current draw	A	0.14
Motor capacitor	µF	1
Capacitor voltage	VDB	400
Capacitor standard		P0 (CE)
Min. back pressure	Pa	0
Max. ambient temperature	°C	75

ml = max. load · me = max. efficiency · rfa = running at free air · cs = customer specs · cu = customer unit  
Subject to alterations



# AC centrifugal fan

backward curved, single inlet  
with housing and angle bracket

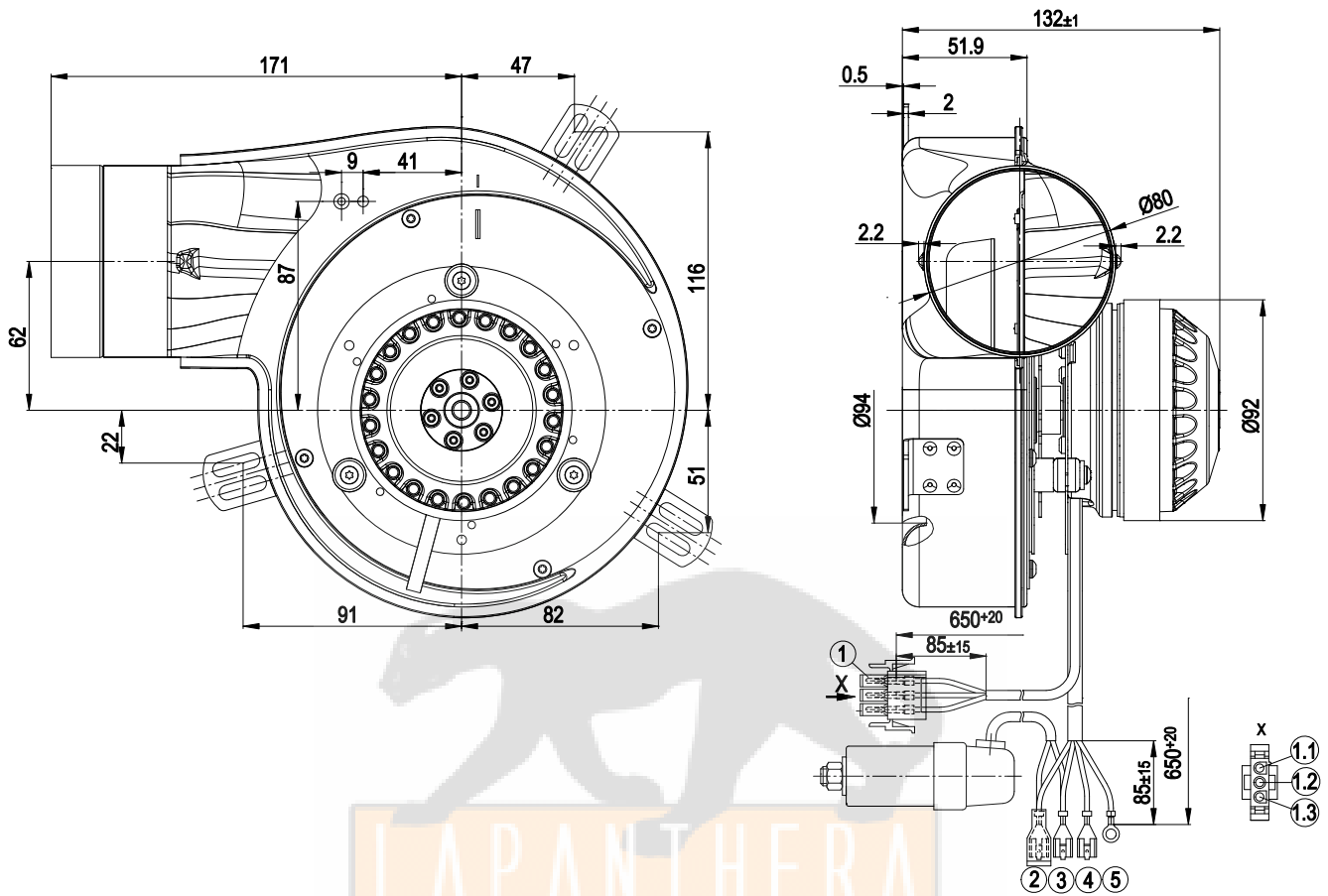
## Technical features

Leakage current	< 0.75 mA
Size	150 mm
Operation mode	S1
Direction of rotation	Counter-clockwise, seen on rotor
Mounting position	Any
Humidity class	F0
Insulation class	"B"
Cable exit	Variable
Condensate discharge holes	None
Motor bearing	Ball bearing
Mass	2.4 kg
Housing material	Sheet steel, fire-aluminised
Material of impeller	Sheet steel, rust-resistant
Motor suspension	Motor anti-vibration mounted on one side via mounting plate
Motor protection	Thermal overload protector (TOP) wired internally
Product conforming to standard	CE; EN 60335-1
Surface of rotor	Partially cast in aluminium
Number of blades	6
Type of protection	IP 44; Depending on installation and position
Protection class	I
Max. permissible ambient motor temp. (transp./ storage)	+ 80 °C
Min. permissible ambient motor temp. (transp./storage)	-40 °C

## AC centrifugal fan

backward curved, single inlet  
with housing and angle bracket

## Product drawing

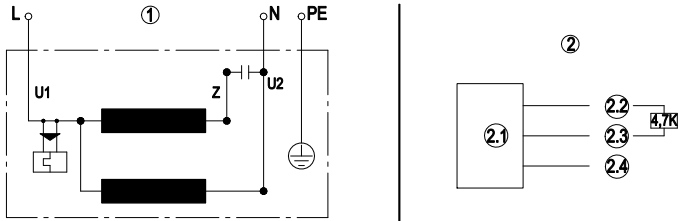


1	Connector housing AMP 350 766-4 with 3 x plug pin AMP 926 885-1
1.1	+ / red
1.2	- / black
1.3	out / white
2	Receptacle for tabs AMP 160 256-1 with heat-shrinkable sleeve, insulated
3	Receptacle for tabs AMP 160 256-1, 6.3 x 0.8 mm
4	Receptacle for tabs AMP 160 389-3, 6.3 x 0.8 mm
5	Contact stud Ø4.3 x 7.0 x 9.5

# AC centrifugal fan

backward curved, single inlet  
with housing and angle bracket

## Connection screen



1	Fan connection diagram
U1	Blue
Z	brown
U2	black
PE	green/yellow
2	Hall IC circuit
2.1	Hall IC
2.2	Red (+5V)
2.3	White (out)
2.4	Black (0V)

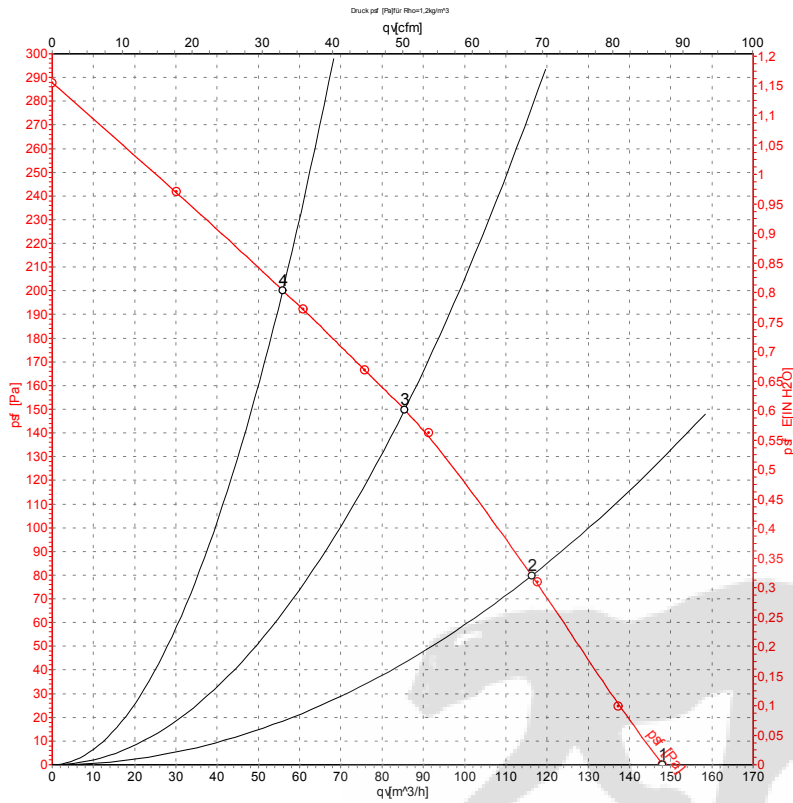


# AC centrifugal fan

backward curved, single inlet

with housing and angle bracket

## Charts: Air flow 50 Hz



Measurement: LU-129045

Air performance measured as per ISO 5801 Installation Category A. For detailed information on the measuring set-up, please contact ebm-papst. Suction-side noise levels: LwA measured as per ISO 13347 / LpA measured with 1m distance to fan axis. The values given are valid under the measuring conditions mentioned above and may vary according to the actual installation situation. With any deviation from the standard set-up, the specific values have to be checked and reviewed with the unit installed.

### Measured values

	U	f	n	P <sub>e</sub>	I	LpA <sub>in</sub>	LwA <sub>in</sub>	qv	p <sub>sf</sub>
	V	Hz	min <sup>-1</sup>	W	A	dB(A)	dB(A)	m <sup>3</sup> /h	Pa
1	230	50	2550	30	0.14	60	68	150	0
2	230	50	2575	27	0.12	57	65	115	80
3	230	50	2615	27	0.12	54	62	85	150
4	230	50	2660	26	0.11	54	61	55	200