

AC centrifugal blower

Single inlet, forward curved



- **Impeller material:** Heat-resistant plastic
- **Housing material:** Heat-resistant plastic
- **Bearings:** Maintenance-free ball bearings

Nominal data

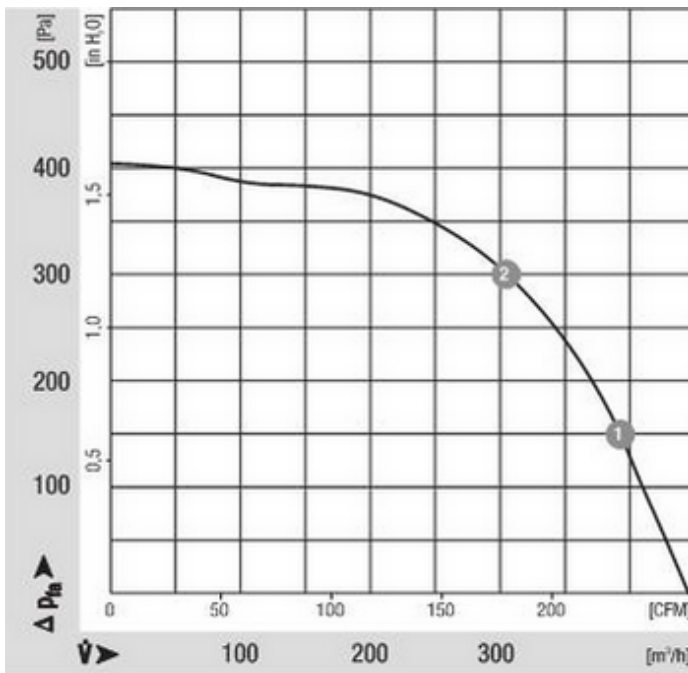
| Type | Motor | Voltage 1 - VAC | Frequency Hz | Air flow m³/h | Speed 1/min | Power consumption W | Current draw A | Capacitor capacity uF/V | Sound pressure level dB(A) | Operative range 50Hz Pa | Ambient temperature 50Hz °C | Weight kg |
|--------------|----------|--------------------|-----------------|------------------|----------------|------------------------|-------------------|----------------------------|-------------------------------|----------------------------|-----------------------------------|--------------|
| G2E140NL3301 | M2E068CF | 230 | 50 | 445 | 2000 | 137 | 0.60 | 3.0 / 400 | 65 | 0 .. 405 | -25 .. 65 | 1.6 |

Subject to modification

Characteristic: Pressure over air flow at 50Hz

| n [1/min] | P ₁ [W] | I [A] | LpA [dBA] | ntL [%] |
|--------------|-----------------------|----------|--------------|------------|
|--------------|-----------------------|----------|--------------|------------|

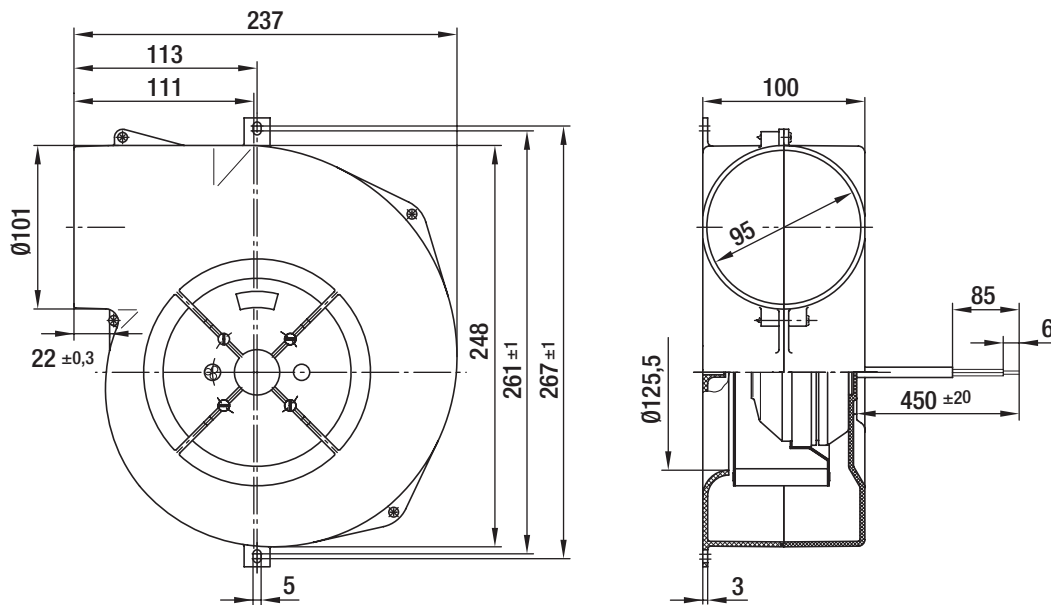
| | | | | |
|--------|-----|----|----|----|
| 1 2220 | 123 | -- | -- | -- |
| 2 2470 | 105 | -- | -- | -- |



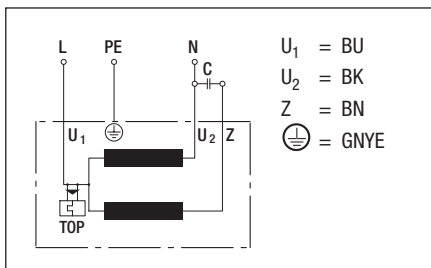
AC centrifugal blower

Single inlet, forward curved

Specific drawing



Connection illustration



Technical description

- **Impeller material:** Heat-resistant plastic
- **Bearings:** Maintenance-free ball bearings
- **Insulation class:** "B"
- **System of protection:** IP 44
- **Housing material:** Heat-resistant plastic
- **Operating mode:** S1
- **Protection class:** I
- **Approvals:** CE

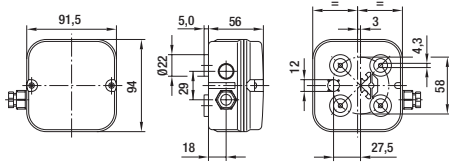
Contact

ebm-papst Mulfingen GmbH & Co. KG
Bachmühle 2
D-74673 Mulfingen
Phone +49 (0) 79 38 / 81-0
Fax +49 (0) 79 38 / 81-110
info1@de.ebmpapst.com
www.ebmpapst.com

Terminal box

Order No.

64442-1-7612



Technical description

- **General description:** 2-part terminal box for AC motors of size 068, with 4-pole terminal strip. Suitable for installation of a capacitor up to max. 10 μ F.
- **System of protection:** IP 54

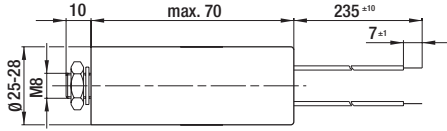
- **Material:** ABS

Contact

ebm-papst Mulfingen GmbH & Co. KG
Bachmühle 2
D-74673 Mulfingen
Phone +49 (0) 79 38 / 81-0
Fax +49 (0) 79 38 / 81-110
info1@de.ebmpapst.com
www.ebmpapst.com

MKP motor capacitor (without fuse), 3.0 μ F

| Order No. | Capacity |
|--------------|-------------|
| 68462-4-7320 | 3.0 μ F |



Technical description

- **Material:** Housing of Thermoplast
- **Connecting cable:** Multi-core PVC wire 0.5 mm² (16 x 0.2 mm²) with wire-end clamp
- **Approvals:** VDE in accordance with DIN EN 60252 (VDE 0560/8)
- **Expected service life:** 400 VDB; -25 to +85°C; 30,000 hrs.; Class A
450 VDB; -25 to +85°C; 10,000 hrs.; Class B

Contact

ebm-papst Mulfingen GmbH & Co. KG
Bachmühle 2
D-74673 Mulfingen
Phone +49 (0) 79 38 / 81-0
Fax +49 (0) 79 38 / 81-110
info1@de.ebmpapst.com
www.ebmpapst.com