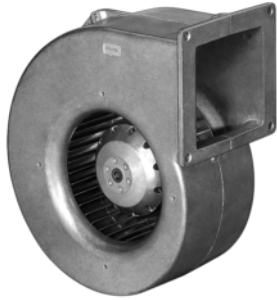


G2E140-AI28-01

AC centrifugal fan

forward curved, single inlet

with housing (flange)



ebm-papst Mulfingen GmbH & Co. KG

Bachmühle 2

D-74673 Mulfingen

Phone +49 7938 81-0

Fax +49 7938 81-110

info1@de.ebmpapst.com

www.ebmpapst.com

Nominal data

Type	G2E140-AI28-01			
Motor	M2E068-DF			
Phase		1~	1~	1~
Nominal voltage	VAC	230	230	230
Frequency	Hz	50	60	60
Type of data definition		rfa	rfa	rfa
Valid for approval / standard		CE	CE	UL 2111
Speed	min ⁻¹	2400	2350	2350
Power input	W	160	205	220
Current draw	A	0.7	0.9	0.96
Motor capacitor	µF	4	4	4
Capacitor voltage	VDB	400	400	400
Min. back pressure	Pa	0	0	0
Max. ambient temperature	°C	70	45	45

ml = max. load · me = max. efficiency · rfa = running at free air · cs = customer specs · cu = customer unit
Subject to alterations

AC centrifugal fan

forward curved, single inlet

with housing (flange)

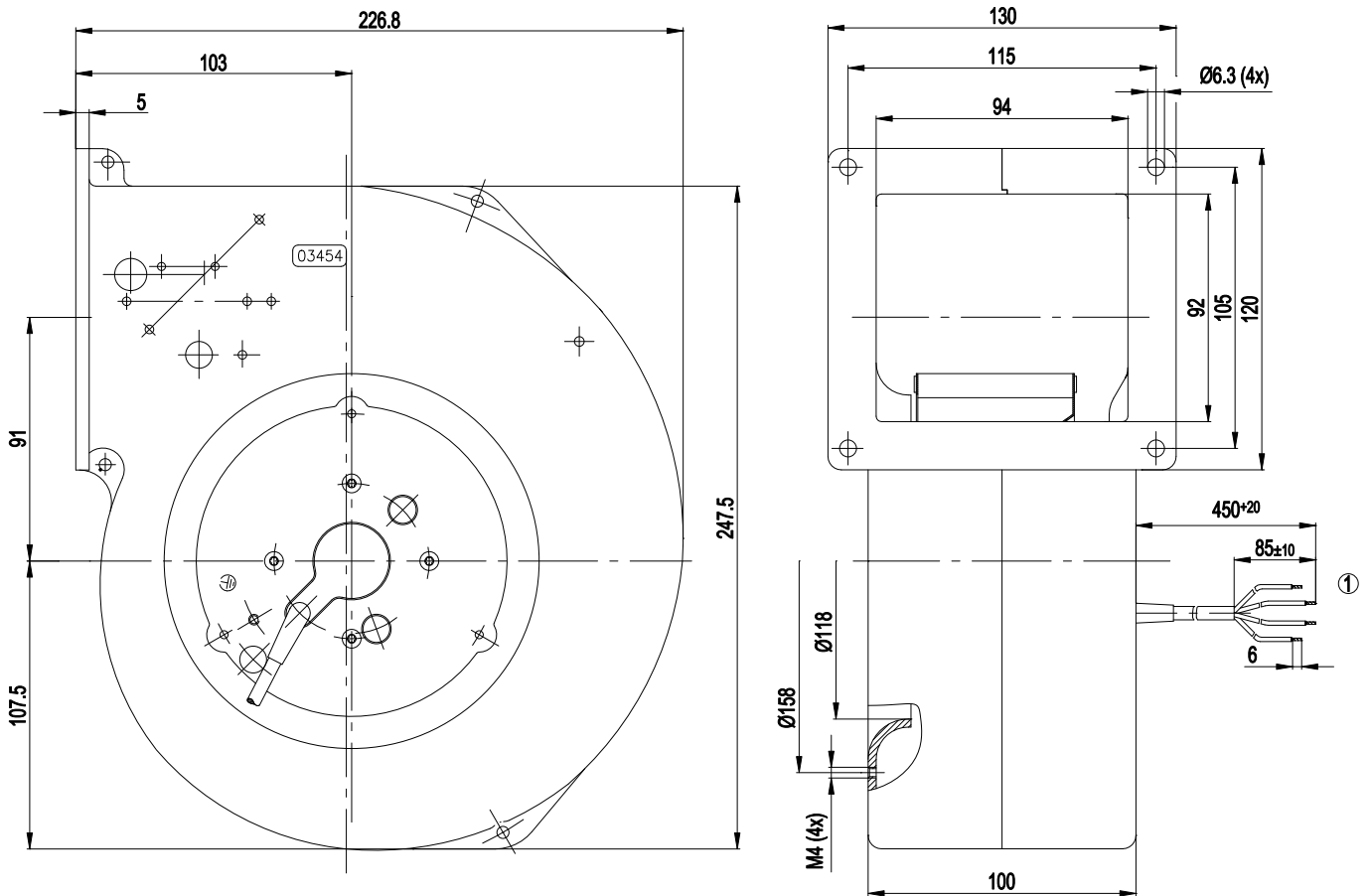
Technical features

Leakage current	< 0.75 mA
Size	140 mm
Operation mode	S1
Direction of rotation	Clockwise, seen on rotor
Mounting position	Any
Humidity class	F0
Insulation class	"B"
Condensate discharge holes	None
Motor bearing	Ball bearing
Mass	3.52 kg
Housing material	Die-cast aluminium
Material of impeller	Sheet steel, hot-galvanised
Motor protection	Thermal overload protector (TOP) wired internally
Product conforming to standard	CE; EN 60335-1
Type of protection	IP 44
Protection class	I
Max. permissible ambient motor temp. (transp./ storage)	+ 80 °C
Min. permissible ambient motor temp. (transp./storage)	- 40 °C
Approval	CCC; GOST

AC centrifugal fan

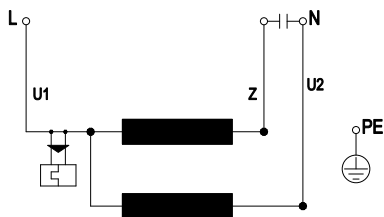
forward curved, single inlet
with housing (flange)

Product drawing



1 Connection line PVC 4G 0.5 mm², 4 x brass lead tips crimped

Connection screen



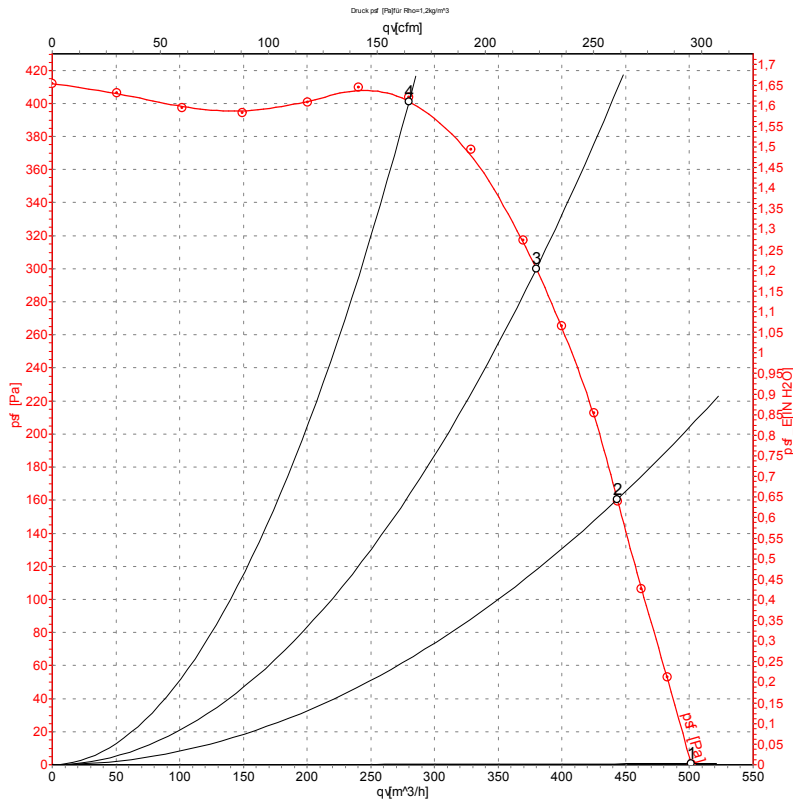
U1	blue	Z	brown	U2	black
PE	green/yellow				

AC centrifugal fan

forward curved, single inlet

with housing (flange)

Charts: Air flow 50 Hz



Measurement: LU-104964

Air performance measured as per ISO 5801 Installation Category A. For detailed information on the measuring set-up, please contact ebm-papst. Suction-side noise levels: L_{wA} measured as per ISO 13347 / L_{pA} measured with 1m distance to fan axis. The values given are valid under the measuring conditions mentioned above and may vary according to the actual installation situation. With any deviation from the standard set-up, the specific values have to be checked and reviewed with the unit installed.

Measured values

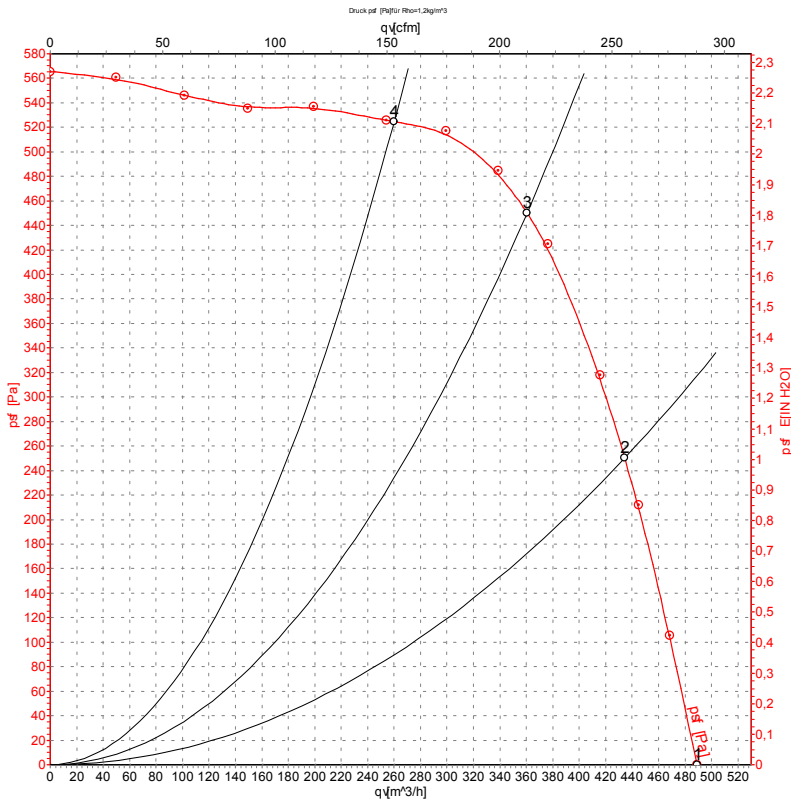
	U	f	n	P _e	I	q _v	p _{sf}
	V	Hz	min ⁻¹	W	A	m ³ /h	Pa
1	230	50	2400	160	0.70	500	0
2	230	50	2495	143	0.62	445	160
3	230	50	2595	127	0.55	380	300
4	230	50	2710	107	0.47	280	400

AC centrifugal fan

forward curved, single inlet

with housing (flange)

Charts: Air flow 60 Hz



Measurement: LU-104967

Air performance measured as per ISO 5801 Installation Category A. For detailed information on the measuring set-up, please contact ebm-papst. Suction-side noise levels: LwA measured as per ISO 13347 / LpA measured with 1m distance to fan axis. The values given are valid under the measuring conditions mentioned above and may vary according to the actual installation situation. With any deviation from the standard set-up, the specific values have to be checked and reviewed with the unit installed.

Measured values

	U	f	n	P _e	I	qv	P _{sf}
	V	Hz	min ⁻¹	W	A	m³/h	Pa
1	230	60	2350	205	0.90	490	0
2	230	60	2660	186	0.82	435	250
3	230	60	2930	167	0.75	360	450
4	230	60	3135	146	0.67	260	525