

G2E133-DN77-01

AC centrifugal fan

forward curved, single inlet
with housing (without flange)



ebm-papst Mulfingen GmbH & Co. KG

Bachmühle 2

74673 Mulfingen

Phone: +49 7938 81-0

Fax: +49 7938 81-110

www.ebmpapst.com

info1@de.ebmpapst.com

Nominal data

Type	G2E133-DN77-01		
Motor	M2E068-BF		
Phase		1~	1~
Nominal voltage	[V]	230	230
Frequency	[Hz]	50	60
Type of data definition		rfa	rfa
Valid for approval / standard		CE	CE
Speed	[min ⁻¹]	2150	2100
Power input	[W]	88	110
Current draw	[A]	0.39	0.49
Motor capacitor	[μF]	2	2
Capacitor voltage	[VDB]	450	450
Min. back pressure	[Pa]	0	0
Max. ambient temperature	[°C]	55	50

ml = max. load · me = max. efficiency · rfa = running at free air · cs = customer specs · cu = customer unit
Subject to alterations

G2E133-DN77-01

AC centrifugal fan

forward curved, single inlet
with housing (without flange)

Technical features

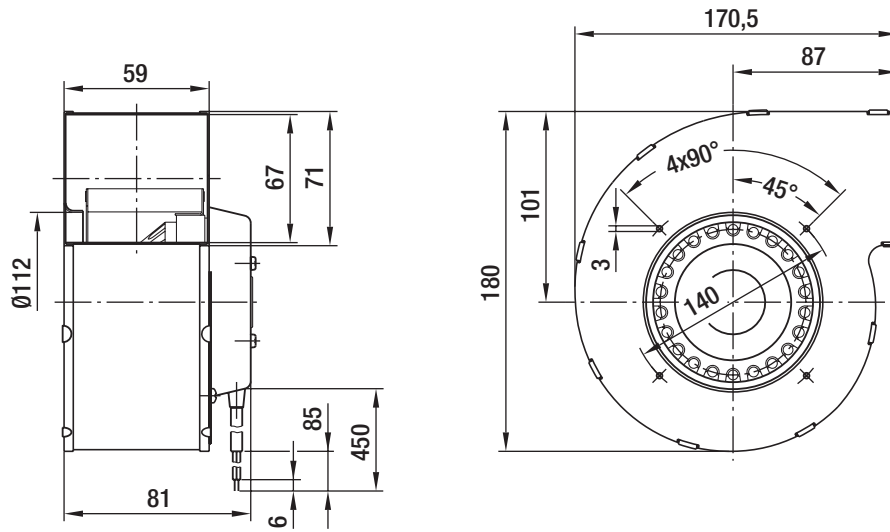
Leakage current	< 0,75 mA
Size	133 mm
Operation mode	Continuous operation (S1)
Direction of rotation	Clockwise, seen on rotor
Insulation class	"B"
Cable exit	Axial
Bearing motor	Ball bearing
Mass	1.9 kg
Housing material	Sendzimir galvanized sheet steel
Material of impeller	Sendzimir galvanized sheet steel
Motor protection	Thermal overload protector (TOP) wired internally
Product conforming to standard	CE
Type of protection	IP 44
Protection class	I
Approval	CCC

G2E133-DN77-01

AC centrifugal fan

forward curved, single inlet
with housing (without flange)

Product drawing

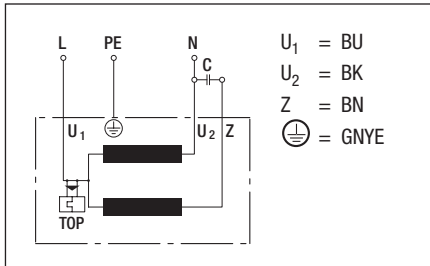


G2E133-DN77-01

AC centrifugal fan

forward curved, single inlet
with housing (without flange)

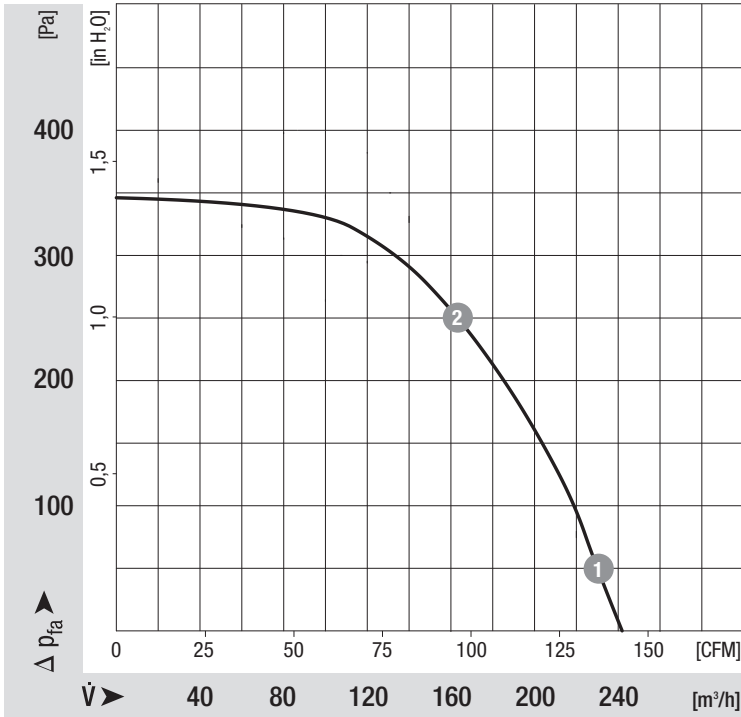
Connection screen



AC centrifugal fan

forward curved, single inlet
with housing (without flange)

Charts: Air flow 50 Hz



Measured values

	n	P ₁	I
	[min ⁻¹]	[W]	[A]
1	2290	83	0.37
2	2530	73	0.33

AC centrifugal fan

forward curved, single inlet
with housing (without flange)

Charts: Air flow 60 Hz

