

AC centrifugal blower

Single inlet, forward curved



- **Impeller material:** Sendzimir galvanized sheet steel
- **Housing material:** Die-cast aluminum
- **Bearings:** Maintenance-free ball bearings

Nominal data

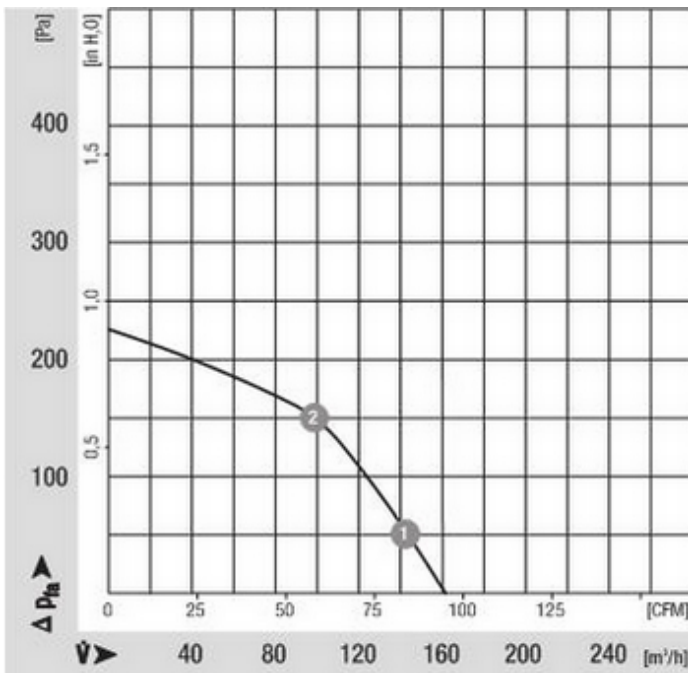
Type	Motor	Voltage 1 - VAC	Frequency Hz	Air flow m³/h	Speed 1/min	Power consumption W	Current draw A	Capacitor capacity uF/V	Sound pressure level dB(A)	Operative range 50Hz Pa	Ambient temperature 50Hz °C	Weight kg
G2E108AG6301	M2E052BF	230	50	160	1850	30	0.14	1.0 / 400	56	0 .. 225	-25 .. 85	1.3

Subject to modification

Characteristic: Pressure over air flow at 50Hz

n	P ₁	I	LpA	ntL
[1/min]	[W]	[A]	[dBA]	[%]

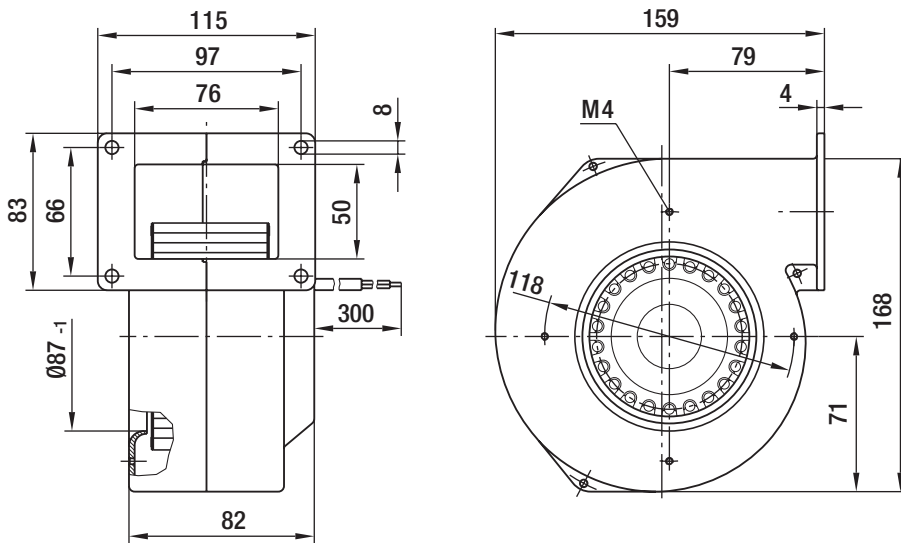
1	2070	34	--	--	--
2	2470	31	--	--	--



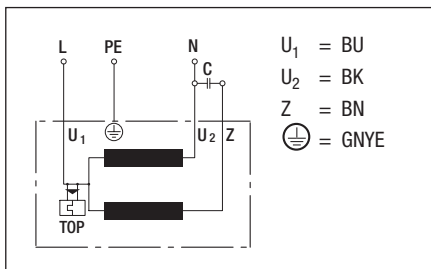
AC centrifugal blower

Single inlet, forward curved

Specific drawing



Connection illustration



Technical description

- **Impeller material:** Sendzimir galvanized sheet steel
- **Bearings:** Maintenance-free ball bearings
- **Insulation class:** "B"
- **System of protection:** IP 44
- **Housing material:** Die-cast aluminum
- **Operating mode:** S1
- **Protection class:** I
- **Approvals:** CE

Contact

ebm-papst Muldingen GmbH & Co. KG

Bachmühle 2

D-74673 Muldingen

Phone +49 (0) 79 38 / 81-0

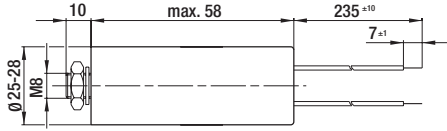
Fax +49 (0) 79 38 / 81-110

info1@de.ebmpapst.com

www.ebmpapst.com

MKP motor capacitor (without fuse), 1.0 μ F

Order No.	Capacity
02100-4-7320	1.0 μ F



Technical description

- **Material:** Housing of Thermoplast
- **Connecting cable:** Multi-core PVC wire 0.5 mm² (16 x 0.2 mm²) with wire-end clamp
- **Approvals:** VDE in accordance with DIN EN 60252 (VDE 0560/8)
- **Expected service life:** 400 VDB; -25 to +85°C; 30,000 hrs.; Class A
450 VDB; -25 to +85°C; 10,000 hrs.; Class B

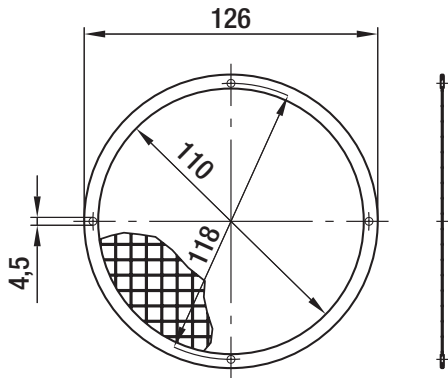
Contact

ebm-papst Mulfingen GmbH & Co. KG
Bachmühle 2
D-74673 Mulfingen
Phone +49 (0) 79 38 / 81-0
Fax +49 (0) 79 38 / 81-110
info1@de.ebmpapst.com
www.ebmpapst.com

Guard grille

Order No.

09490-2-4039



Technical description

- **Material:** Welded grille of hot-galvanized steel, inlet of tinplate 0.4 mm thick

Contact

ebm-papst Mulfingen GmbH & Co. KG

Bachmühle 2

D-74673 Mulfingen

Phone +49 (0) 79 38 / 81-0

Fax +49 (0) 79 38 / 81-110

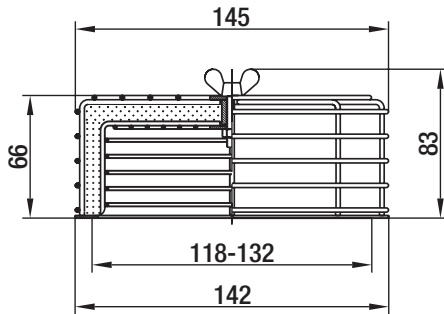
info1@de.ebmpapst.com

www.ebmpapst.com

Air filter

Order No.

95777-1-5171



Technical description

- **General description:** Viledon Filter Type R, PSB / 29 OS (in accordance with DIN 24185), separation efficiency < 86 %, efficiency < 20 %, dust binding capacity 650 g/m²

- **Note:** Replacement filter order No. 95779-1-5171

- **Material:** Steel wire or sheet steel, plastic-coated in RAL No. 9005, black

Contact

ebm-papst Mulfingen GmbH & Co. KG

Bachmühle 2

D-74673 Mulfingen

Phone +49 (0) 79 38 / 81-0

Fax +49 (0) 79 38 / 81-110

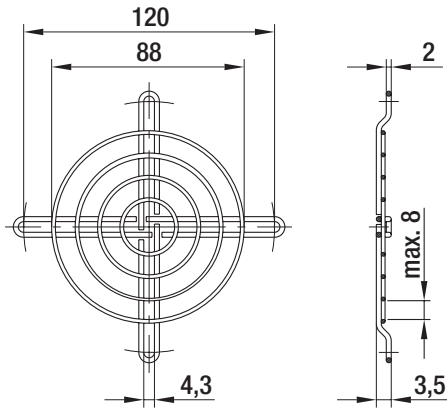
info1@de.ebmpapst.com

www.ebmpapst.com

Guard grille

Order No.

98214-2-4039



Technical description

- **Material:** Steel wire, plastic-coated, silver-metallic gloss

Contact

ebm-papst Mulfingen GmbH & Co. KG

Bachmühle 2

D-74673 Mulfingen

Phone +49 (0) 79 38 / 81-0

Fax +49 (0) 79 38 / 81-110

info1@de.ebmpapst.com

www.ebmpapst.com