

G2E108-AA01-01

AC centrifugal fan

forward curved, single inlet

with housing (flange)

ebm-papst Mulfingen GmbH & Co. KG

Bachmühle 2 · D-74673 Mulfingen

Phone +49 7938 81-0

Fax +49 7938 81-110

info1@de.ebmpapst.com

www.ebmpapst.com

Limited partnership · Headquarters Mulfingen

County court Stuttgart · HRA 590344

General partner: Elektrobau Mulfingen GmbH · Headquarters Mulfingen

County court Stuttgart · HRB 590142

Nominal data

| | | | |
|-------------------------------|-------------------|---------|---------|
| Type | G2E108-AA01-01 | | |
| Motor | M2E042-CA | | |
| Phase | | 1~ | 1~ |
| Nominal voltage | VAC | 230 | 230 |
| Frequency | Hz | 50 | 60 |
| Type of data definition | | fa | fa |
| Valid for approval / standard | | CE | CE |
| Speed | min ⁻¹ | 1650 | 1650 |
| Power input | W | 41 | 44 |
| Current draw | A | 0.19 | 0.20 |
| Motor capacitor | µF | 1.5 | 1.5 |
| Capacitor voltage | VDB | 400 | 400 |
| Capacitor standard | | P2 (CE) | P2 (CE) |
| Min. back pressure | Pa | 0 | 0 |
| Max. ambient temperature | °C | 55 | 55 |

ml = max. load · me = max. efficiency · fa = running at free air · cs = customer specs · cu = customer unit
Subject to alterations



G2E108-AA01-01

AC centrifugal fan

forward curved, single inlet

with housing (flange)

Technical features

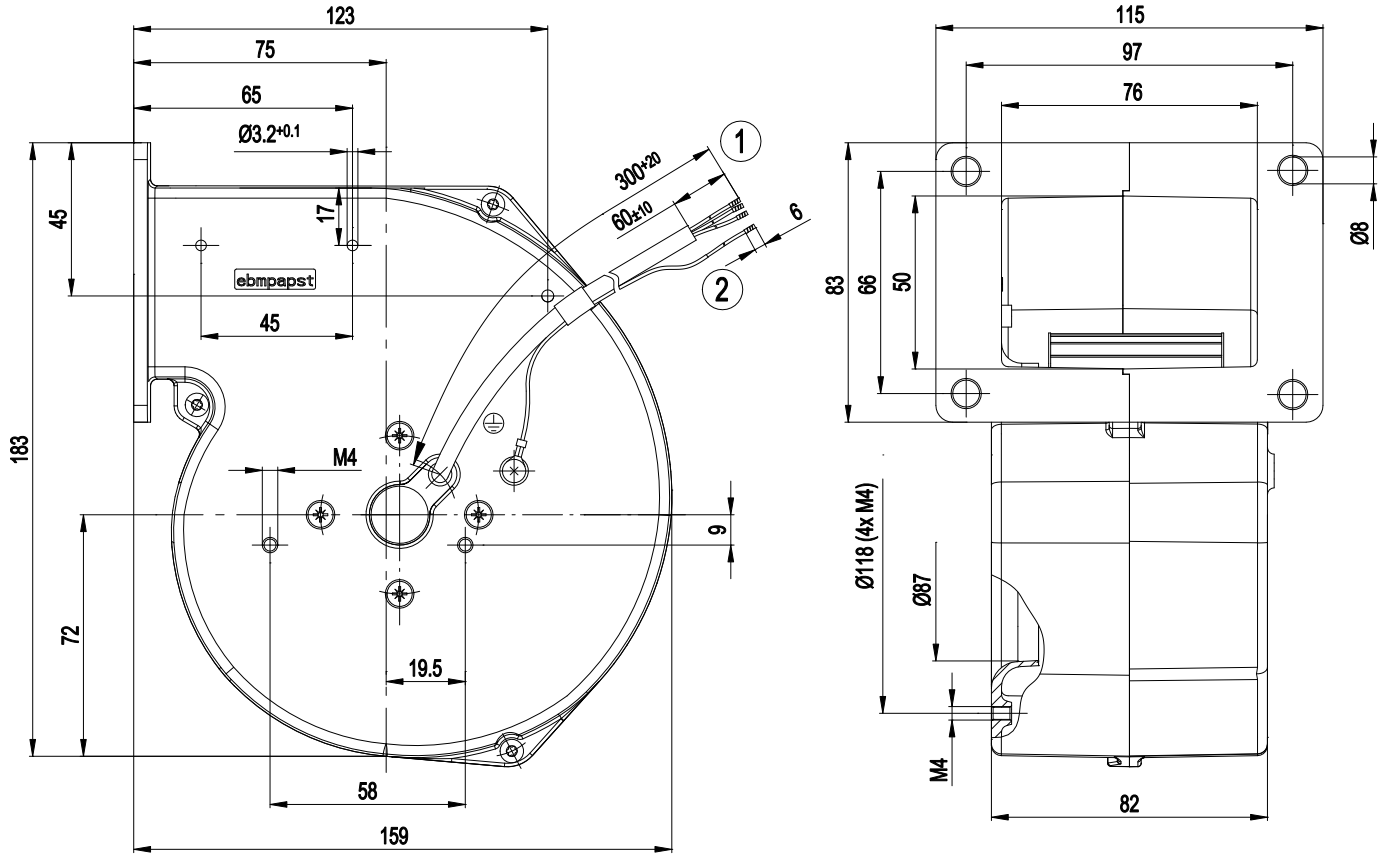
| | |
|--|---|
| Mass | 1.3 kg |
| Size | 108 mm |
| Material of impeller | Sheet steel, hot-galvanised |
| Housing material | Die-cast aluminium |
| Direction of rotation | Clockwise, seen on rotor |
| Type of protection | IP 44; Depending on installation and position |
| Insulation class | "B" |
| Max. permissible ambient motor temp. (transp./ storage) | + 80 °C |
| Min. permissible ambient motor temp. (transp./storage) | - 40 °C |
| Mounting position | Any |
| Condensate discharge holes | None |
| Operation mode | S1 |
| Motor bearing | Ball bearing |
| Leakage current | < 0.75 mA |
| Motor protection | Thermal overload protector (TOP) wired internally |
| Protection class | I (if protective earth is connected by customer) |
| Product conforming to standard | EN 60335-1; CE |
| Approval | CCC |



AC centrifugal fan

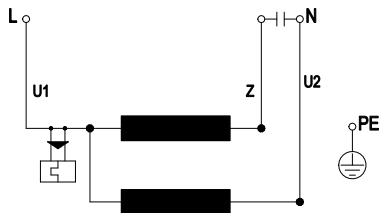
forward curved, single inlet
with housing (flange)

Product drawing



- 1 Connection line PVC , 3x brass lead tips crimped
- 2 Connection line AWG20, 1x brass lead tips crimped

Connection screen



| | | | | | |
|----|--------------|---|-------|----|-------|
| U1 | blue | Z | brown | U2 | black |
| PE | green/yellow | | | | |

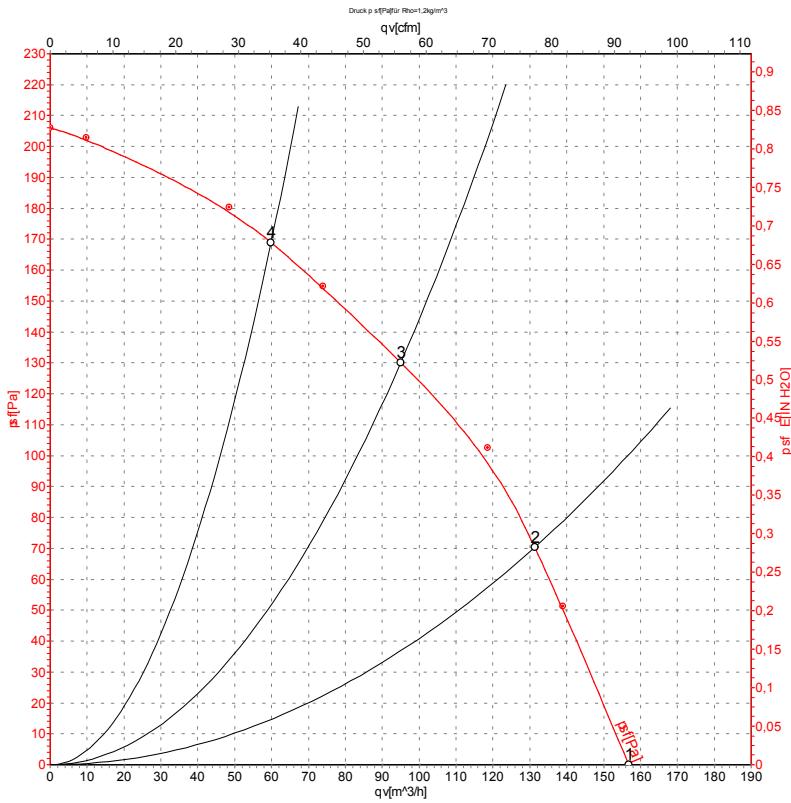


AC centrifugal fan

forward curved, single inlet

with housing (flange)

Charts: Air flow 50 Hz



Measurement: LU-4671

Air performance measured as per ISO 5801 Installation category A. For detailed information on the measuring set-up, please contact ebm-papst. Suction-side noise levels: LwA measured as per ISO 13347 / LpA measured with 1m distance to fan axis. The values given are valid under the measuring conditions mentioned above and may vary according to the actual installation situation. With any deviation from the standard set-up, the specific values have to be checked and reviewed with the unit installed.

Measured values

| | U | f | n | P _e | I | qv | P _{sf} |
|---|-----|----|-------------------|----------------|------|-------------------|-----------------|
| | V | Hz | min ⁻¹ | W | A | m ³ /h | Pa |
| 1 | 230 | 50 | 1650 | 41 | 0.19 | 155 | 0 |
| 2 | 230 | 50 | 1980 | 38 | 0.17 | 130 | 70 |
| 3 | 230 | 50 | 2225 | 37 | 0.16 | 95 | 130 |
| 4 | 230 | 50 | 2420 | 35 | 0.15 | 60 | 170 |

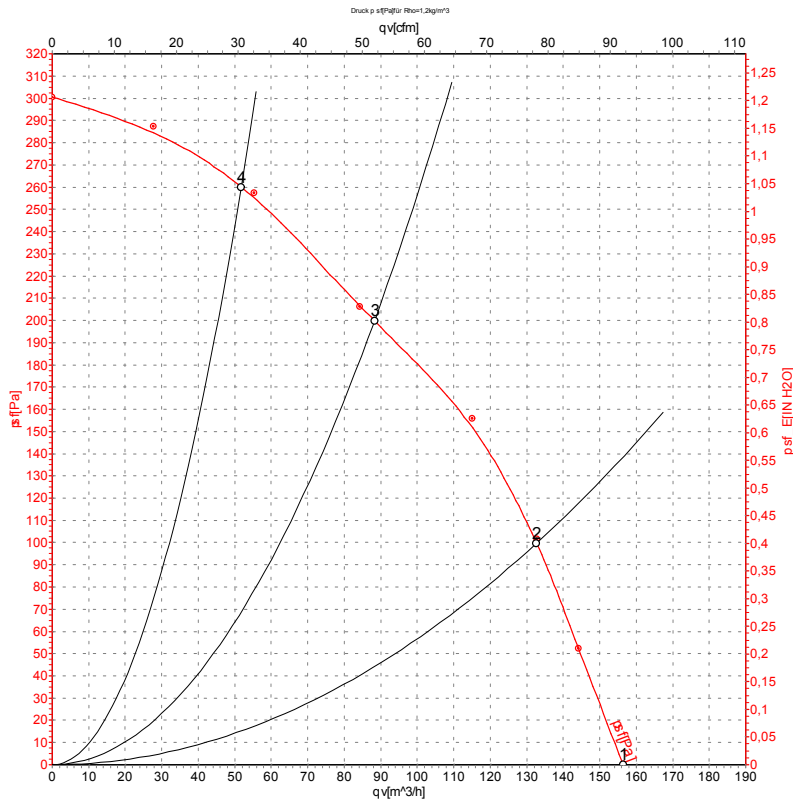


AC centrifugal fan

forward curved, single inlet

with housing (flange)

Charts: Air flow 60 Hz



Measurement: LU-4673

Air performance measured as per ISO 5801 Installation category A. For detailed information on the measuring set-up, please contact ebm-papst. Suction-side noise levels: L_{wA} measured as per ISO 13347 / L_{pA} measured with 1m distance to fan axis. The values given are valid under the measuring conditions mentioned above and may vary according to the actual installation situation. With any deviation from the standard set-up, the specific values have to be checked and reviewed with the unit installed.

Measured values

| | U | f | n | P _e | I | qv | p _{sf} |
|---|-----|----|-------------------|----------------|------|-------------------|-----------------|
| | V | Hz | min ⁻¹ | W | A | m ³ /h | Pa |
| 1 | 230 | 60 | 1650 | 44 | 0.20 | 155 | 0 |
| 2 | 230 | 60 | 2185 | 41 | 0.19 | 135 | 100 |
| 3 | 230 | 60 | 2670 | 37 | 0.17 | 90 | 200 |
| 4 | 230 | 60 | 2950 | 34 | 0.16 | 50 | 260 |

