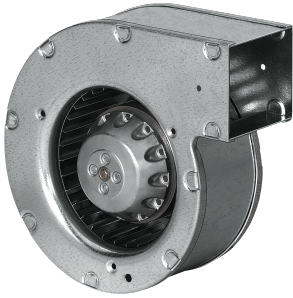


G2E097-HD01-02

AC centrifugal fan

forward curved, single inlet
with housing (without flange)



ebm-papst Mulfingen GmbH & Co. KG

Bachmühle 2

74673 Mulfingen

Phone: +49 7938 81-0

Fax: +49 7938 81-110

www.ebmpapst.com

info1@de.ebmpapst.com

Nominal data

Type	G2E097-HD01-02		
Motor	M2E042-CA		
Phase		1~	1~
Nominal voltage	[V]	230	230
Frequency	[Hz]	50	60
Type of data definition		rfa	rfa
Valid for approval / standard		CE	CE
Speed	[min ⁻¹]	2050	2300
Power input	[W]	35	37
Current draw	[A]	0.16	0.17
Motor capacitor	[μF]	1.5	1.5
Capacitor voltage	[VDB]	400	400
Capacitor standard		P2 (CE)	P2 (CE)
Min. back pressure	[Pa]	0	0
Max. ambient temperature	[°C]	40	55

ml = max. load · me = max. efficiency · rfa = running at free air · cs = customer specs · cu = customer unit
Subject to alterations

AC centrifugal fan

forward curved, single inlet
with housing (without flange)

Technical features

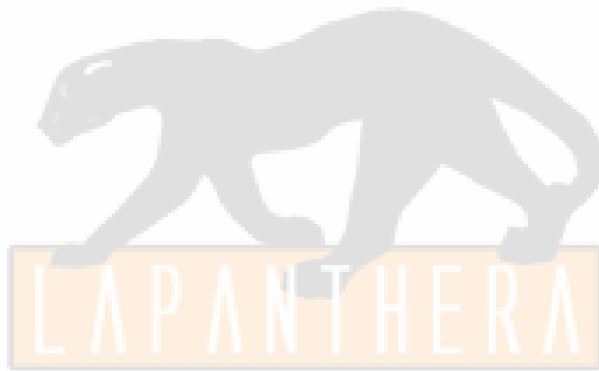
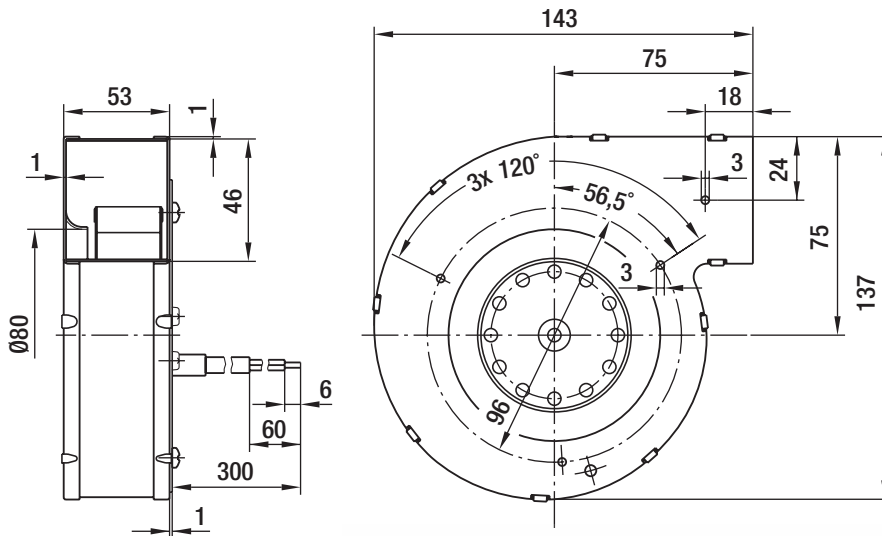
Leakage current	< 0,75 mA
Size	97 mm
Operation mode	S1
Direction of rotation	Clockwise, seen on rotor
Insulation class	"B"
Bearing motor	Ball bearing
Mass	1.1 kg
Housing material	Sendzimir galvanized sheet steel
Material of impeller	Sendzimir galvanized sheet steel
Motor protection	Thermal overload protector (TOP) wired internally
Product conforming to standard	CE
Type of protection	IP 44
Protection class	I
Approval	CCC



AC centrifugal fan

forward curved, single inlet
with housing (without flange)

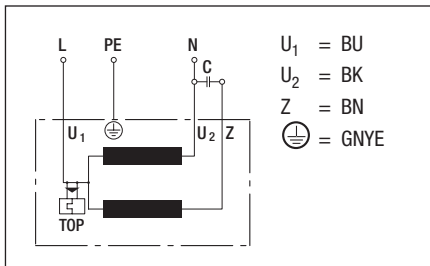
Product drawing



AC centrifugal fan

forward curved, single inlet
with housing (without flange)

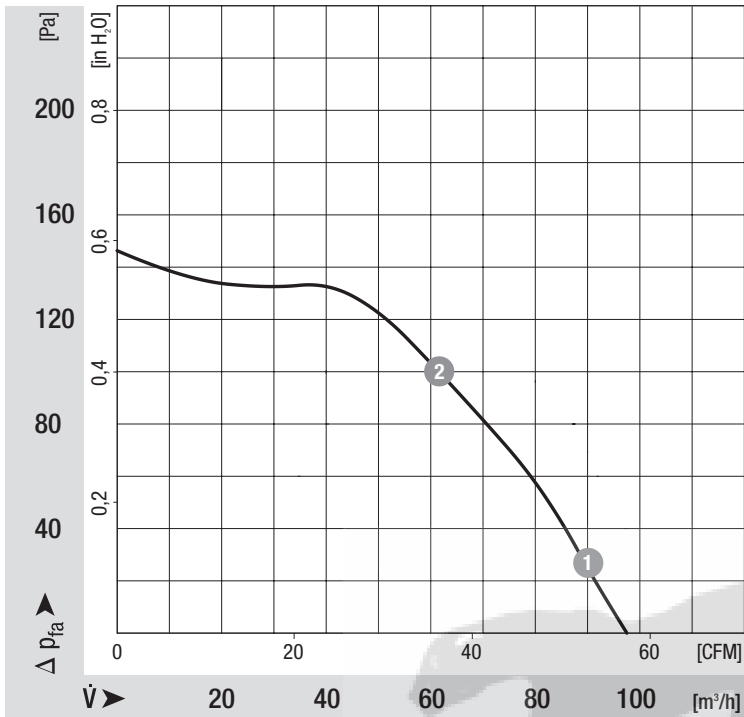
Connection screen



AC centrifugal fan

forward curved, single inlet
with housing (without flange)

Charts: Air flow 50 Hz



Measured values

	n	P ₁	I
	[min ⁻¹]	[W]	[A]
1	2120	35	0.16
2	2335	33	0.15

LAPANTHERA

AC centrifugal fan

forward curved, single inlet
with housing (without flange)

Charts: Air flow 60 Hz

