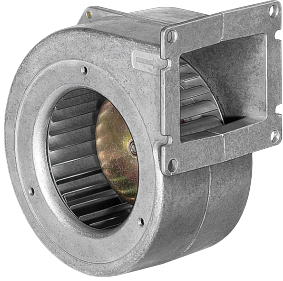


G1G085-AB05-01

EC centrifugal fan with housing (small flange)

forward curved, single inlet



ebm-papst Mulfingen GmbH & Co. KG

Bachmühle 2

74673 Mulfingen

Phone: +49 7938 81-0

Fax: +49 7938 81-110

www.ebmpapst.com

info1@de.ebmpapst.com

Nominal data

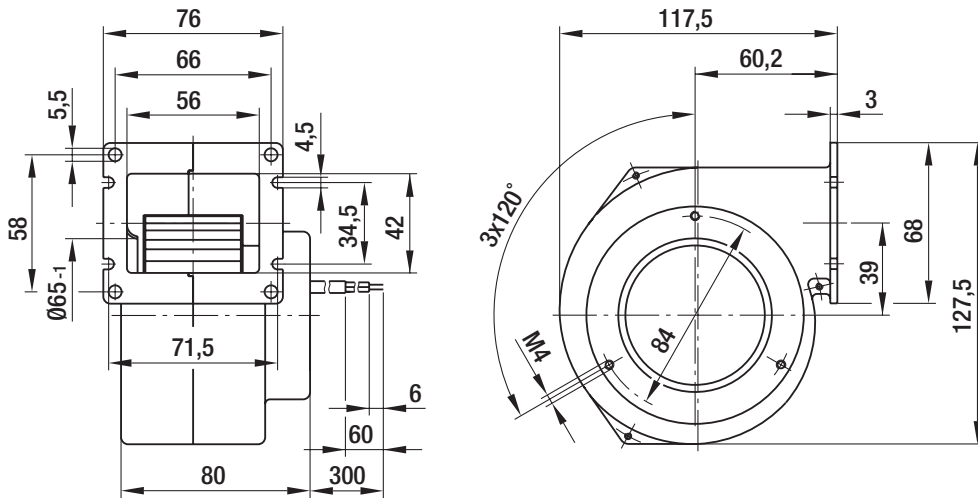
Type	G1G085-AB05-01	
Motor	M1G045-BE	
Nominal voltage	[VDC]	24
Type of data definition		rfa
Speed	[min ⁻¹]	2850
Power input	[W]	14
Current draw	[A]	-
Max. ambient temperature	[°C]	60
Air flow	[m ³ /h]	-
Back pressure	[Pa]	-

ml = max. load · me = max. efficiency · rfa = running at free air · cs = customer specs · cu = customer unit
Subject to alterations

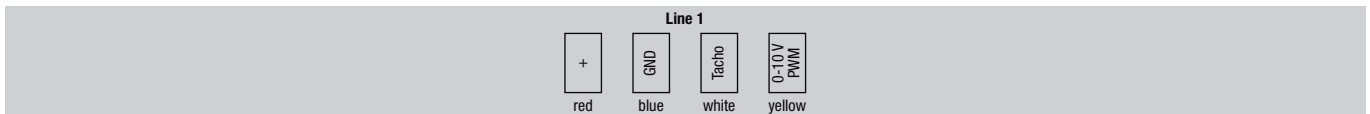
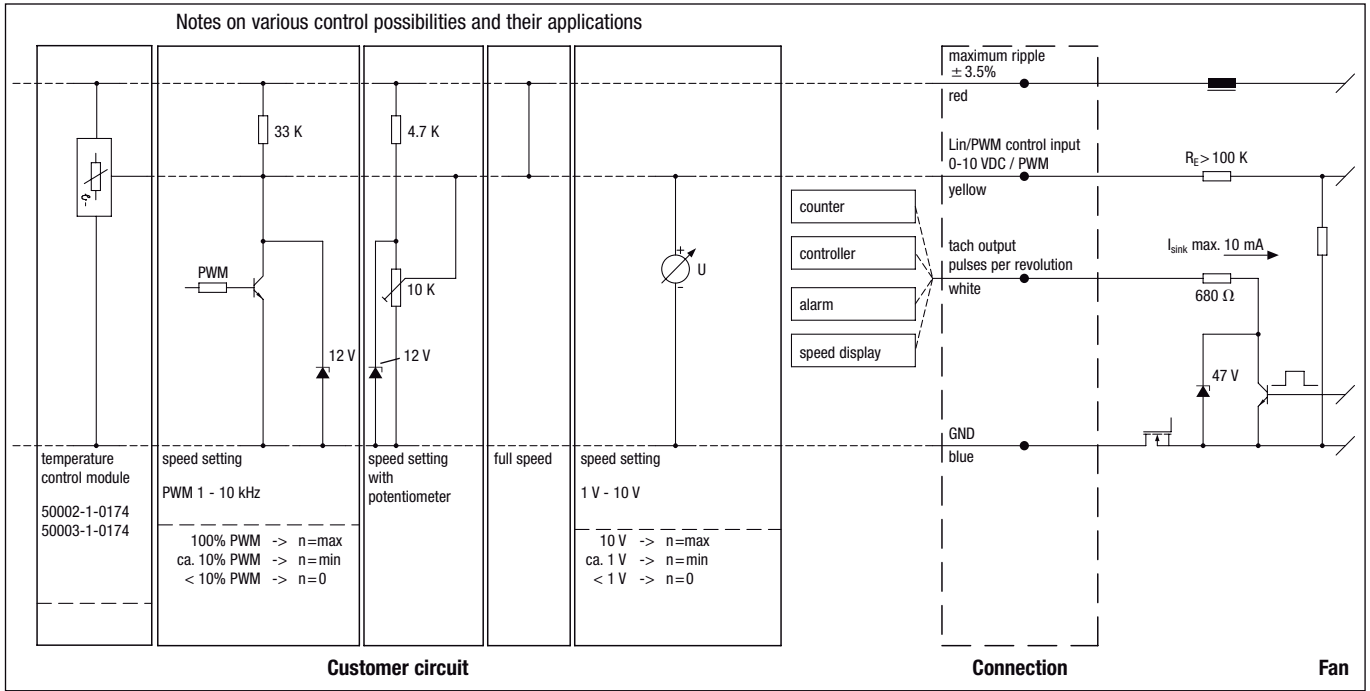
Technical features

Leakage current	<= 0,25 mA
General description	Integrated electronics
Size	85 mm
Operation mode	Continuous operation (S1)
Mounting position	Mounting position: Any; condensate discharge holes: none
Direction of rotation	Clockwise, seen on rotor
Insulation class	"B"
Cable exit	Axial
Bearing-motor	Ball bearing
Mass	0.8 kg
Material of electronics housing	Rotor: Galvanized
Material of impeller	Hot-dip galvanized sheet steel
Motor protection	Reverse polarity and locked-rotor protection
Type of protection	IP 22
Protection class	I
Technical features	Control input 0-10 VDC / PWM, tach output, polarity and locked rotor protection

Product drawing

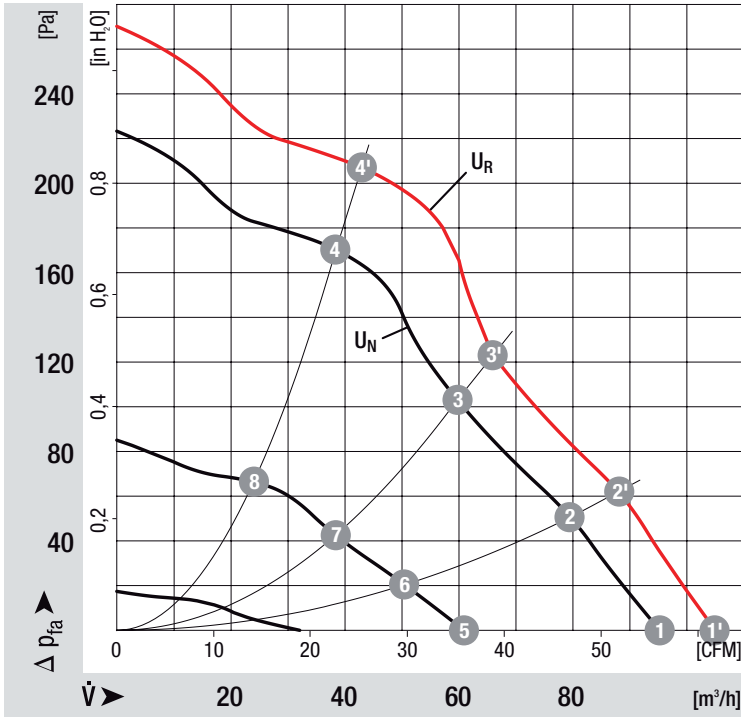


Connection screen



Line	Signal	Colour	Assignment / function	Line	Signal	Colour	Assignment / function
1	+	red	maximum ripple $\pm 3.5\%$	1	Tacho	white	Tach output: pulses per revolution
	GND	blue	GND		0-10 V / PWM	yellow	Control input

Charts: Air flow



	n	P ₁	η _{TL}
	[min ⁻¹]	[W]	[%]
1'	3180	19	
2'	3300	16	28
3'	3500	15	32
4'	3800	12	37
1	2850	14	
2	3000	12	28
3	3180	11	32
4	3400	9	37
5	1890	5	
6	1970	4	25
7	2070	4	30
8	2170	3	33