

Special edition for the
Mostra Convegno

AC axial fans

S series, Ø 450



- **Material:** Guard grille: Steel, phosphated and coated in black plastic
Wall ring: Sheet steel, pre-galvanised and coated in black plastic
Blades: Plastic, coated in black
Rotor: Coated in black
- **Number of blades:** 5
- **Direction of rotation:** Direction of air flow "V" counter-clockwise, direction of air flow "A" counter-clockwise, seen on rotor
- **Type of protection:** IP 54 (acc. to EN 60529)
- **Insulation class:** "F"
- **Mounting position:** Shaft horizontal or rotor on bottom; rotor on top on request
- **Condensate discharges:** Rotor-side
- **Mode of operation:** Continuous operation (S1)
- **Bearings:** Maintenance-free ball bearings

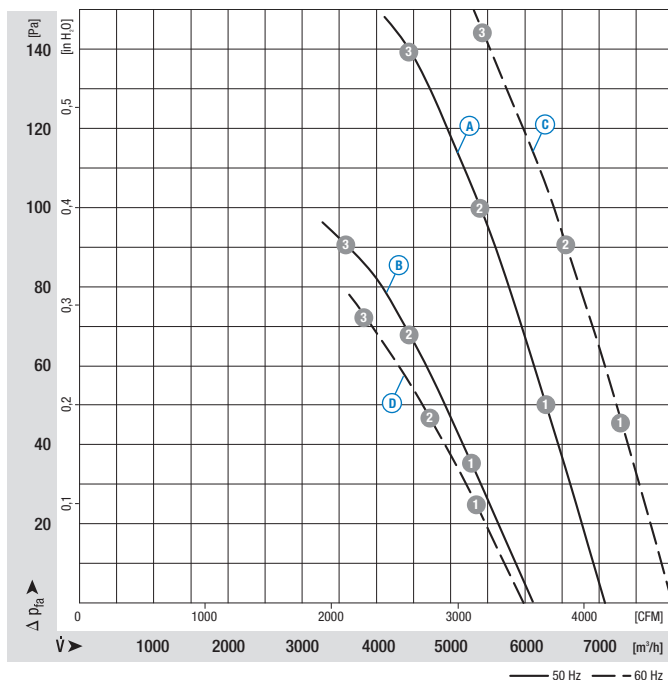
Nominal data		Curve	Nominal voltage	Frequency	Speed/rpm ⁽¹⁾	Max. power input ⁽¹⁾	Max. current draw ⁽¹⁾	Capacitor	Max. operative range	Perm. amb. temp.	Mass without attachments	Electr. connection
Type	Motor	VAC	Hz	rpm	W	A	µF/VDB	Pa	°C	kg	p. 10	
*4D 450	M4D 094-HA	Ⓐ 3~400 Δ	50	1360	480	0,98	—	140	-40..+65	7,2	F1b)/F2b)	
		Ⓑ 3~400 Y	50	1110	340	0,58	—	90	-40..+65			
		Ⓒ 3~400 Δ	60	1510	690	1,20	—	145	-40..+50	7,2	F1b)/F2b)	
		Ⓓ 3~400 Y	60	1060	400	0,72	—	70	-40..+50			
*4E 450	M4E 094-HA	Ⓔ 1~230	50	1310	490	2,36	10,0/400	125	-40..+65	7,2	A2b)	
		Ⓕ 1~230	60	1390	650	2,96	10,0/400	115	-40..+55			

subject to alterations

(1) Nominal data in operating point with maximum load



Curves



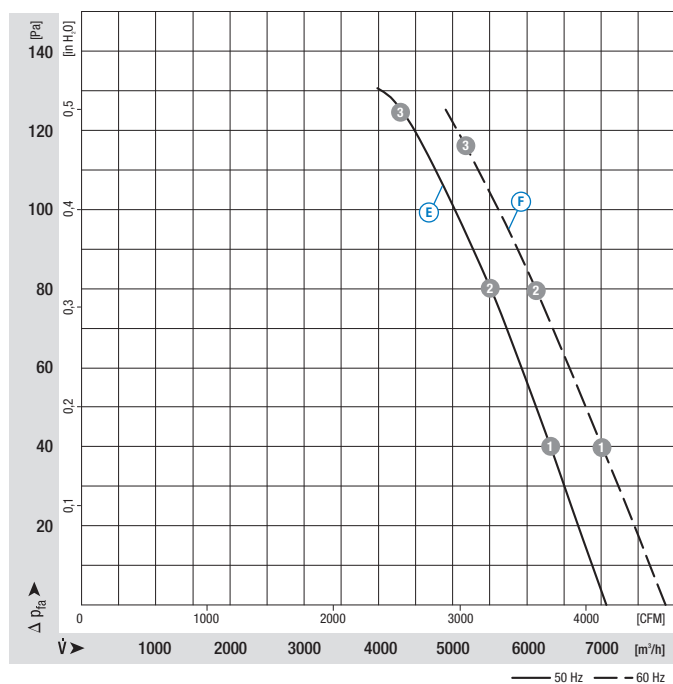
	n [rpm]	P ₁ [W]	I [A]	Lp _A [dB(A)]
Ⓐ ①	1380	420	0,91	62
Ⓐ ②	1370	450	0,95	61
Ⓐ ③	1360	480	0,98	62
Ⓑ ①	1160	310	0,54	59
Ⓑ ②	1130	330	0,55	58
Ⓑ ③	1110	340	0,58	59
Ⓒ ①	1550	620	1,09	65
Ⓒ ②	1530	660	1,15	64
Ⓒ ③	1510	690	1,20	64
Ⓓ ①	1130	390	0,68	59
Ⓓ ②	1100	395	0,70	57
Ⓓ ③	1060	400	0,72	56

- **Motor protection:** Design with thermal overload protector,
- **Cable exit:** Lateral via terminal box
- **Protection class:** I (acc. to EN 61800-5-1)
- **Product conforming to standard:** CE

Direction of air flow

	< "V"/"A" > Without attachments	< "V"/"A" > With full round nozzle	< "V"/"A" > With guard grille for full nozzle	< "V"/"A" > With guard grille for short nozzle
"V" "A"	A4D 450-A014 -01 A4D 450-A014 -02	W4D 450-C014 -01 W4D 450-C014 -02	S4D 450-B014 -01 S4D 450-B014 -02	S4D 450-A014 -01 S4D 450-A014 -02
"V" "A"	A4E 450-A009 -01 A4E 450-A009 -02	W4E 450-C009 -01 W4E 450-C009 -02	S4E 450-B009 -01 S4E 450-B009 -02	S4E 450-A009 -01 S4E 450-A009 -02

Curves



	n [rpm]	P ₁ [W]	I [A]	L _{pA} [dB(A)]
Ⓔ ①	1340	450	2,16	62
Ⓔ ②	1330	470	2,26	62
Ⓔ ③	1310	490	2,36	62
Ⓕ ①	1460	620	2,76	64
Ⓕ ②	1420	640	2,87	63
Ⓕ ③	1390	650	2,96	62

AC axial fans

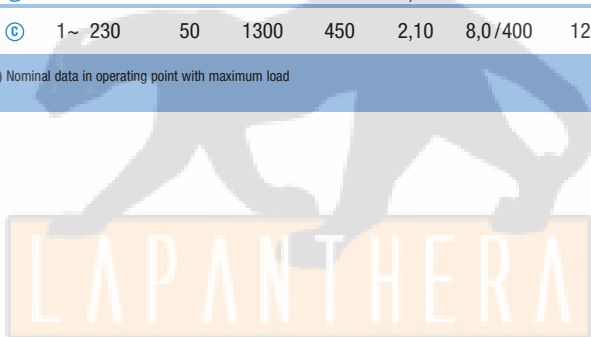
S series, Ø 450



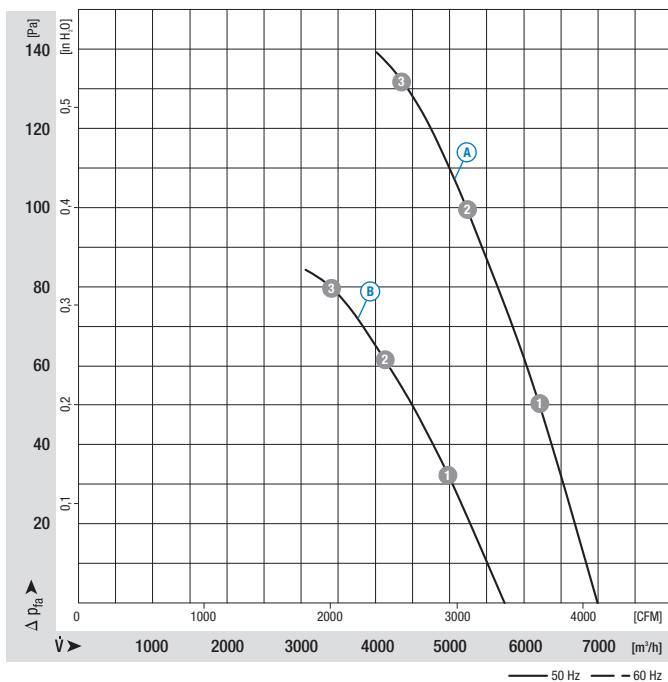
- **Material:** Guard grille: Steel, phosphated and coated in black plastic
Wall ring: Sheet steel, pre-galvanised and coated in black plastic
Blades: Plastic, coated in black
Rotor: Coated in black
- **Number of blades:** 5
- **Direction of rotation:** Direction of air flow "V" counter-clockwise, direction of air flow "A" counter-clockwise, seen on rotor
- **Type of protection:** IP 54 (acc. to EN 60529)
- **Insulation class:** "F"
- **Mounting position:** Shaft horizontal or rotor on bottom; rotor on top on request
- **Condensate discharges:** Rotor-side
- **Mode of operation:** Continuous operation (S1)
- **Bearings:** Maintenance-free ball bearings

Nominal data		Curve	Nominal voltage	Frequency	Speed/rpm ⁽¹⁾	Max. power input ⁽¹⁾	Max. current draw ⁽¹⁾	Capacitor	Max. operative range	Perm. amb. temp.	Mass without attachments	Electr. connection
Type	Motor	VAC	Hz	rpm	W	A	µF/VDB	Pa	°C	kg	p. 10	
*4D 450	M4D 094-FA	Ⓐ 3~400 Δ	50	1330	460	0,95	—	130	-40..+65	5,9	F1b)/F2b)	
		Ⓑ 3~400 Y	50	1040	310	0,52	—	78	-40..+65			
*4E 450	M4E 094-FA	Ⓒ 1~230	50	1300	450	2,10	8,0/400	120	-40..+60	5,9	A2b)	

subject to alterations (1) Nominal data in operating point with maximum load



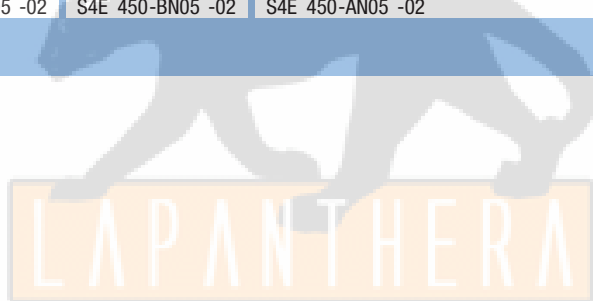
Curves



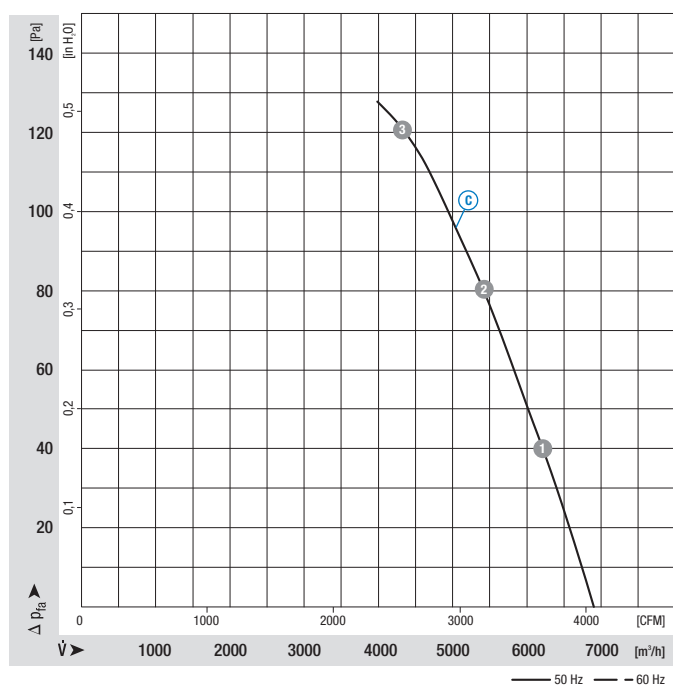
	n [rpm]	P ₁ [W]	I [A]	Lp _A [dB(A)]
Ⓐ 1	1360	410	0,90	62
Ⓐ 2	1350	440	0,93	61
Ⓐ 3	1330	460	0,95	62
Ⓑ 1	1090	290	0,49	58
Ⓑ 2	1060	300	0,51	56
Ⓑ 3	1040	310	0,52	57

- **Motor protection:** Design with thermal overload protector,
- **Cable exit:** Lateral via terminal box
- **Protection class:** I (acc. to EN 61800-5-1)
- **Product conforming to standard:** CE

Direction of air flow				
	< "V"/"A" > Without attachments	< "V"/"A" > With full round nozzle	< "V"/"A" > With guard grille for full nozzle	< "V"/"A" > With guard grille for short nozzle
"V"	A4D 450-AN14 -01	W4D 450-CN14 -01	S4D 450-BN14 -01	S4D 450-AN14 -01
"A"	A4D 450-AN14 -02	W4D 450-CN14 -02	S4D 450-BN14 -02	S4D 450-AN14 -02
"V"	A4E 450-AN05 -01	W4E 450-CN05 -01	S4E 450-BN05 -01	S4E 450-AN05 -01
"A"	A4E 450-AN05 -02	W4E 450-CN05 -02	S4E 450-BN05 -02	S4E 450-AN05 -02



Curves



	n [rpm]	P ₁ [W]	I [A]	L _{pA} [dB(A)]
Ⓒ ①	1350	400	1,88	62
Ⓒ ②	1330	430	1,97	61
Ⓒ ③	1300	450	2,10	61

AC axial fans

S series, Ø 450

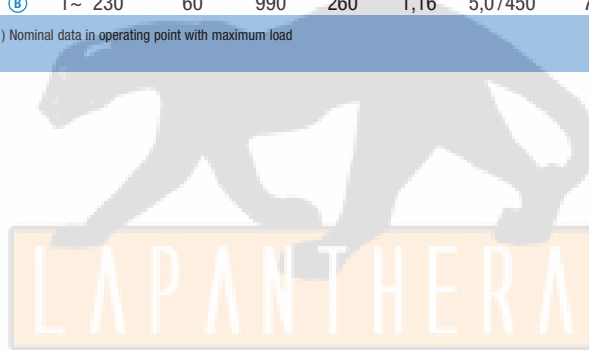


- **Material:** Guard grille: Steel, phosphated and coated in black plastic
Wall ring: Sheet steel, pre-galvanised and coated in black plastic
Blades: Plastic, coated in black
Rotor: Coated in black
- **Number of blades:** 5
- **Direction of rotation:** Direction of air flow "V" counter-clockwise, direction of air flow "A" counter-clockwise, seen on rotor
- **Type of protection:** IP 54 (acc. to EN 60529)
- **Insulation class:** "F"
- **Mounting position:** Shaft horizontal or rotor on bottom; rotor on top on request
- **Condensate discharges:** Rotor-side
- **Mode of operation:** Continuous operation (S1)
- **Bearings:** Maintenance-free ball bearings

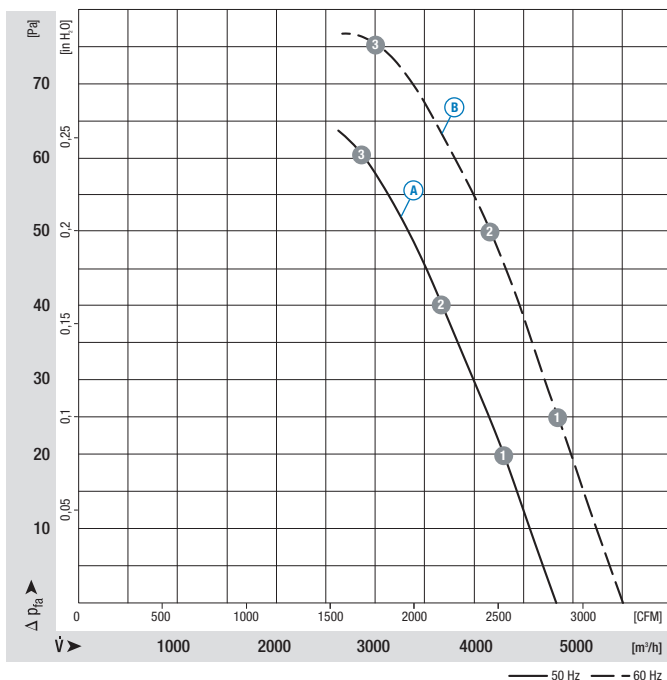
Nominal data		Curve	Nominal voltage	Frequency	Speed/rpm ⁽¹⁾	Max. power input ⁽¹⁾	Max. current draw ⁽¹⁾	Capacitor	Max. operative range	Perm. amb. temp.	Mass without attachments	Electr. connection
Type	Motor		VAC	Hz	rpm	W	A	µF/VDB	Pa	°C	kg	p. 10
*6E 450	M6E 094-EA	A	1~ 230	50	900	190	0,86	5,0/450	60	-40..+65	4,9	A2b)
		B	1~ 230	60	990	260	1,16	5,0/450	75	-40..+65		

subject to alterations

(1) Nominal data in operating point with maximum load







Curves



	n [rpm]	P ₁ [W]	I [A]	Lp _A [dB(A)]
A 1	920	180	0,82	55
A 2	910	185	0,84	54
A 3	900	190	0,86	53
B 1	1040	250	1,09	57
B 2	1020	260	1,13	56
B 3	990	260	1,16	56

- **Motor protection:** TOP wired internally
- **Cable exit:** Lateral via terminal box
- **Protection class:** I (acc. to EN 61800-5-1)
- **Product conforming to standard:** CE

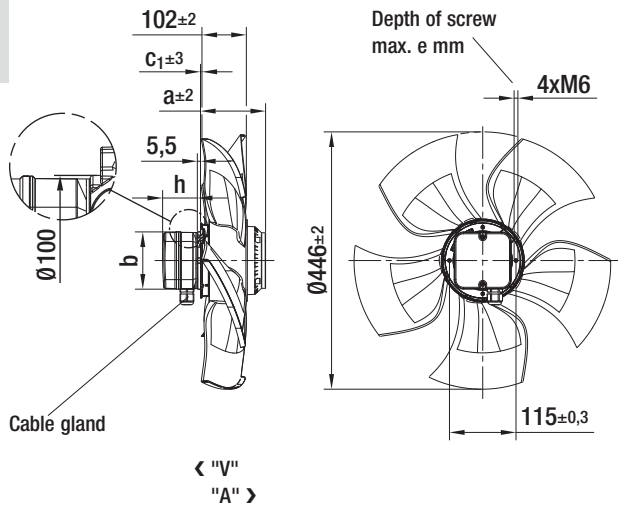
Direction of air flow				
	< "V"/"A" > Without attachments	< "V"/"A" > With full round nozzle	< "V"/"A" > With guard grille for full nozzle	< "V"/"A" > With guard grille for short nozzle
"V"	A6E 450-AU04 -01	W6E 450-CU04 -01	S6E 450-BU04 -01	S6E 450-AU04 -01
"A"	A6E 450-AU04 -02	W6E 450-CU04 -02	S6E 450-BU04 -02	S6E 450-AU04 -02



AC axial fans

S series, Ø 450, drawings of directions of air flow "V" and "A"

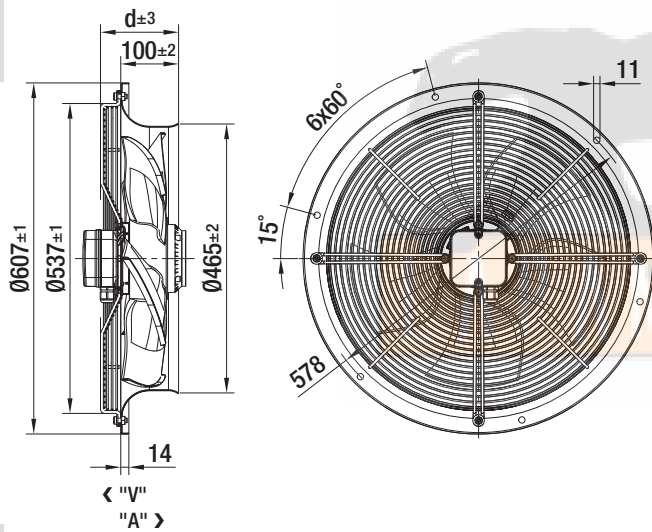
Without attachments



Type

Type		a	b	c1	e	h
A4D 450-A014 -01	"V"	148,0	Ø 89	5,0	12,0	33,5
A4D 450-A014 -02	"A"	148,0	Ø 89	16,0	12,0	33,5
A4E 450-A009 -01	"V"	148,0	99x99	5,0	12,0	59,5
A4E 450-A009 -02	"A"	148,0	99x99	16,0	12,0	59,5
A4D 450-AN14 -01	"V"	128,0	Ø 89	5,0	12,0	33,5
A4D 450-AN14 -02	"A"	128,0	Ø 89	16,0	12,0	33,5
A4E 450-AN05 -01	"V"	128,0	99x99	5,0	12,0	59,5
A4E 450-AN05 -02	"A"	128,0	99x99	16,0	12,0	59,5
A6E 450-AU04 -01	"V"	112,5	99x99	0,0	10,0	59,5
A6E 450-AU04 -02	"A"	112,5	99x99	6,0	10,0	59,5

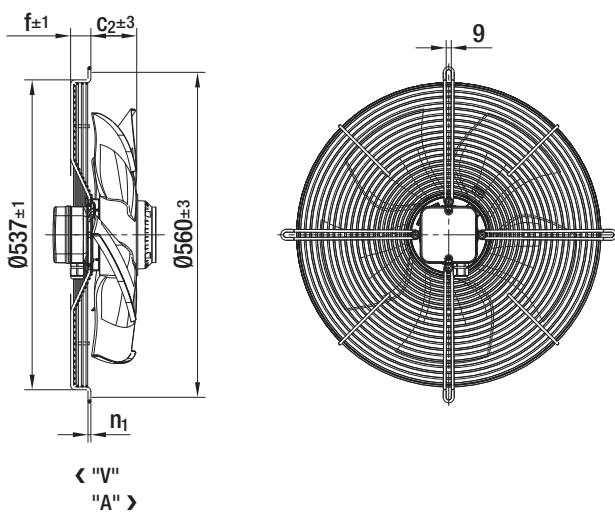
With full round nozzle



Type

Type		d
W4D 450-C014 -01	"V"	146,5
W4D 450-C014 -02	"A"	146,5
W4E 450-C009 -01	"V"	146,5
W4E 450-C009 -02	"A"	146,5
W4D 450-CN14 -01	"V"	146,5
W4D 450-CN14 -02	"A"	146,5
W4E 450-CN05 -01	"V"	146,5
W4E 450-CN05 -02	"A"	146,5
W6E 450-CU04 -01	"V"	135,0
W6E 450-CU04 -02	"A"	135,0

With guard grille for full nozzle

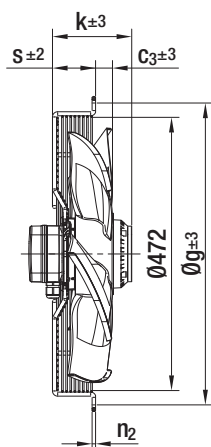


Type

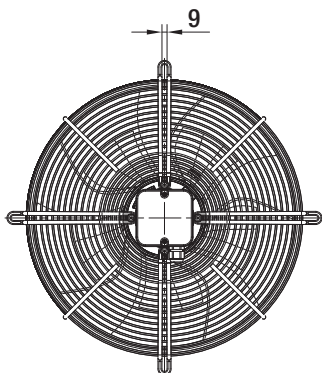
Type		c2	f	n1
S4D 450-B014 -01	"V"	85,0	46,5	6,0
S4D 450-B014 -02	"A"	96,0	46,5	6,0
S4E 450-B009 -01	"V"	85,0	46,5	6,0
S4E 450-B009 -02	"A"	96,0	46,5	6,0
S4D 450-BN14 -01	"V"	85,0	46,5	6,0
S4D 450-BN14 -02	"A"	96,0	46,5	6,0
S4E 450-BN05 -01	"V"	85,0	46,5	6,0
S4E 450-BN05 -02	"A"	96,0	46,5	6,0
S6E 450-BU04 -01	"V"	101,0	35,0	5,0
S6E 450-BU04 -02	"A"	108,0	35,0	5,0



With guard grille for short nozzle



< "V"
"A" >



Type

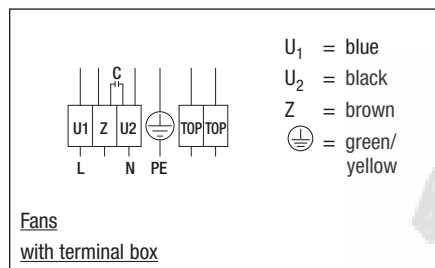
		c3	g	k	n2	s
S4D 450-A014 -01	"V"	44,0	515,0	172,5	6,0	87,5
S4D 450-A014 -02	"A"	55,0	515,0	172,5	6,0	87,5
S4E 450-A009 -01	"V"	44,0	515,0	172,5	6,0	87,5
S4E 450-A009 -02	"A"	55,0	515,0	172,5	6,0	87,5
S4D 450-AN14 -01	"V"	44,0	515,0	152,5	6,0	87,5
S4D 450-AN14 -02	"A"	55,0	515,0	152,5	6,0	87,5
S4E 450-AN05 -01	"V"	44,0	515,0	152,5	6,0	87,5
S4E 450-AN05 -02	"A"	55,0	515,0	152,5	6,0	87,5
S6E 450-AU04 -01	"V"	51,0	522,0	144,0	5,0	81,5
S6E 450-AU04 -02	"A"	58,0	522,0	137,0	5,0	74,5



Electrical connections AC

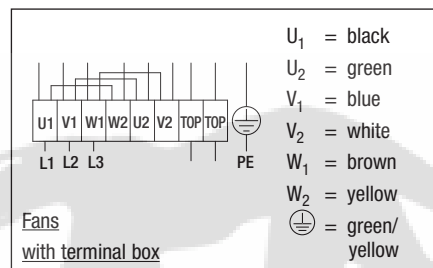
Fans (1~ 230 VAC power line)

A2b) Single-phase capacitor motor
with connection for external TOP

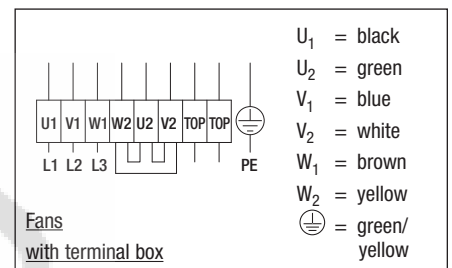


Fans, 2 speeds via Δ/Y-switch (3~ 400 VAC power line)

F1b) Delta connection (high speed)
with TOP



F2b) Star connection (low speed)
with TOP



Direction of rotation is reversed by swapping two line phases.





ebm-papst
Mulfingen GmbH & Co. KG

Bachmühle 2
D-74673 Mulfingen
Phone +49 (0) 79 38 / 81-0
Fax +49 (0) 79 38 / 81-110
info1@de.ebmpapst.com

www.ebmpapst.com



ebmpapst