

AC centrifugal blower

Dual inlet, forward curved



- **General description:** Without flange
- **Impeller material:** Sendzimir galvanized sheet steel
- **Housing material:** Sendzimir galvanized sheet steel

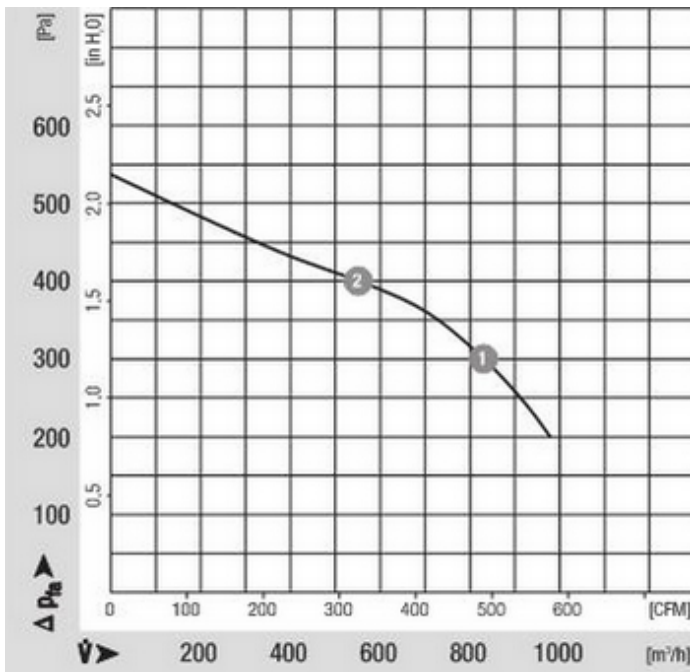
Nominal data

Type	Motor	Voltage 1 - VAC	Frequency Hz	Air flow m ³ /h	Speed 1/min	Power consumption W	Current draw A	Capacitor capacity uF/V	Sound pressure level dB(A)	Operative range 50Hz Pa	Ambient temperature 50Hz °C	Weight kg
D2E146AP4702	M2E068EC	230	50	970	2050	300	1.31	8.0 / 400	63	200 .. 540	-25 .. 40	4.2

Subject to modification

Characteristic: Pressure over air flow at 50Hz

n	P ₁	I	LpA	ntL
[1/min]	[W]	[A]	[dBA]	[%]

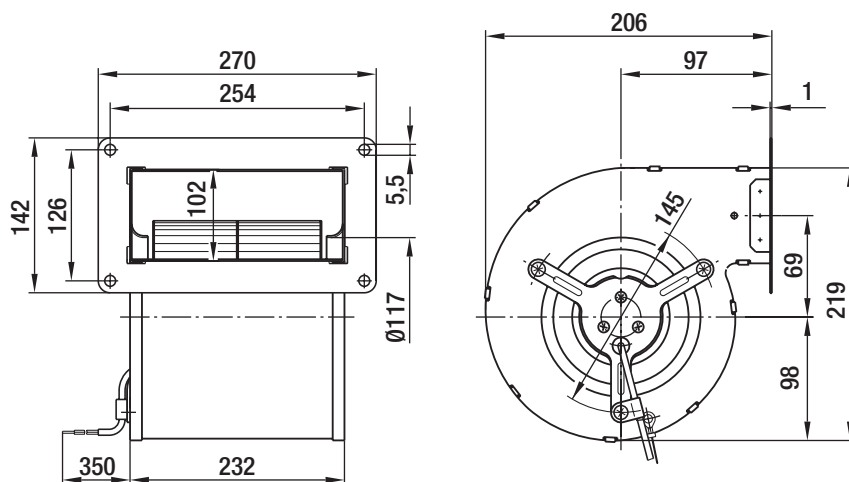


1	2300	262	1,15	--	--
2	2600	206	0,91	--	--

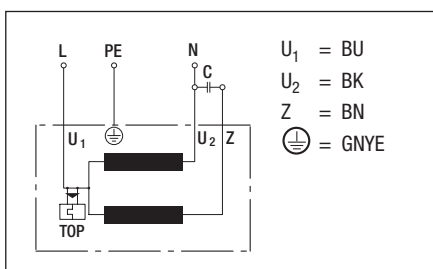
AC centrifugal blower

Dual inlet, forward curved

Specific drawing



Connection illustration



Technical description

- **General description:** Without flange
- **Housing material:** Sendzimir galvanized sheet steel
- **Bearings:** Maintenance-free ball bearings
- **Electrical connection:** Brass lead tips
- **Guideline:** EN 60335-1, CE
- **Insulation class:** "B"
- **System of protection:** IP 44
- **Approvals:** CCC, GOST
- **Impeller material:** Sendzimir galvanized sheet steel
- **Design:** SAL motor mounted to the spiral housing on one side using brackets
- **Direction of rotation:** Counterclockwise, seen on rotor
- **Cable layout:** Variable
- **Operating mode:** Continuous operation (S1)
- **Protection class:** I
- **Motor protection:** TOP wired internally

Contact

ebm-papst Mulfingen GmbH & Co. KG

Bachmühle 2

D-74673 Mulfingen

Phone +49 (0) 79 38 / 81-0

Fax +49 (0) 79 38 / 81-110

info1@de.ebmpapst.com

www.ebmpapst.com