

D2E133-DM47-01

# AC centrifugal fan with housing (without flange)

forward curved, dual inlet



**ebm-papst Mulfingen GmbH & Co. KG**

Bachmühle 2

74673 Mulfingen

Phone: +49 7938 81-0

Fax: +49 7938 81-110

[www.ebmpapst.com](http://www.ebmpapst.com)

[info1@de.ebmpapst.com](mailto:info1@de.ebmpapst.com)

## Nominal data

Type	D2E133-DM47-01		
Motor	M2E068-DF		
Phase		1~	1~
Nominal voltage	[V]	230	230
Frequency	[Hz]	50	60
Type of data definition		ml	ml
Valid for approval / standard		CE	CE
Speed	[min <sup>-1</sup> ]	1650	2200
Power input	[W]	175	185
Current draw	[A]	0,78	0.82
Motor capacitor	[μF]	3	3
Capacitor voltage	[VDB]	450	450
Min. back pressure	[Pa]	100	250
Max. ambient temperature	[°C]	40	40
Air flow	[m <sup>3</sup> /h]	750	465
Back pressure	[Pa]	100	250
Sound pressure level	[dB(A)]	58	62

ml = max. load · me = max. efficiency · rfa = running at free air · cs = customer specs · cu = customer unit  
Subject to alterations

## Technical features

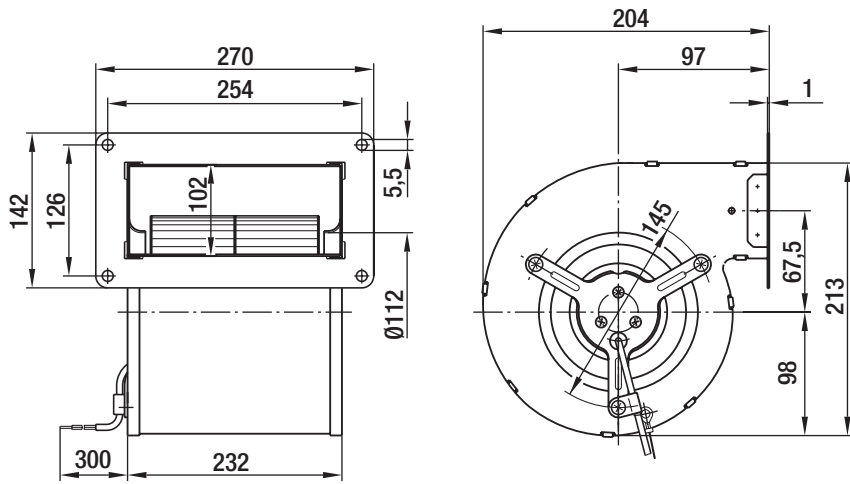
Leakage current	< 0,75 mA
General description	Without flange
Size	133 mm
Operation mode	Continuous operation (S1)
Direction of rotation	Clockwise, seen on rotor
Insulation class	"B"
Cable exit	Axial
Bearing motor	Ball bearing
Mass	4.4 kg
Housing material	Sendzimir galvanized sheet steel
Material of impeller	Sendzimir galvanized sheet steel
Motor protection	Thermal overload protector (TOP) wired internally
Product conforming to standard	CE
Type of protection	IP 4X - degree of protection (water) is defined by mounting situation in end unit
Protection class	I
Approval	CCC

D2E133-DM47-01

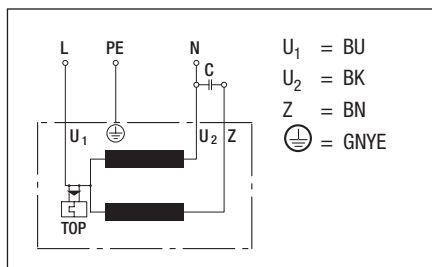
# AC centrifugal fan with housing (without flange)

forward curved, dual inlet

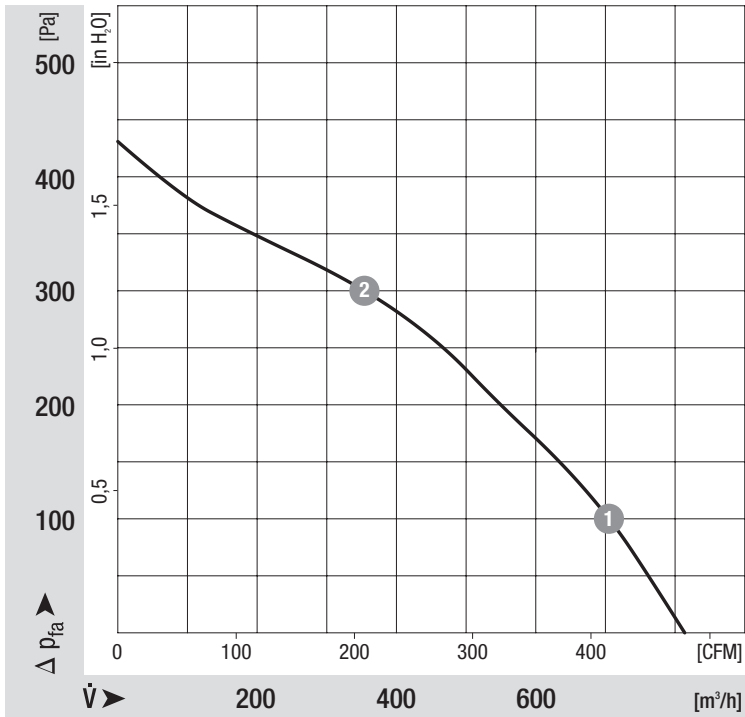
## Product drawing



## Connection screen



## Charts: Air flow 50 Hz



## Measured values

	n	P <sub>1</sub>	I
	[min <sup>-1</sup> ]	[W]	[A]
1	1700	180	0.80
2	2480	138	0.61

## Charts: Air flow 60 Hz

