

AC centrifugal blower

Dual inlet, forward curved



- **General description:** Without flange
- **Impeller material:** Sendzimir galvanized sheet steel
- **Housing material:** Sendzimir galvanized sheet steel

Nominal data

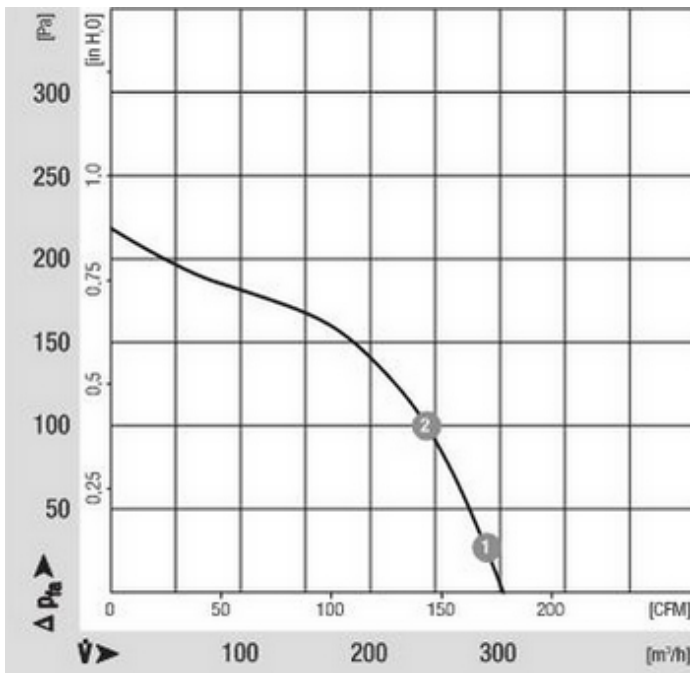
| Type | Motor | Voltage 1 - VAC | Frequency Hz | Air flow m ³ /h | Speed 1/min | Power consumption W | Current draw A | Capacitor capacity uF/V | Sound pressure level dB(A) | Operative range 50Hz Pa | Ambient temperature 50Hz °C | Weight kg |
|--------------|----------|--------------------|-----------------|-------------------------------|----------------|------------------------|-------------------|----------------------------|-------------------------------|----------------------------|-----------------------------------|--------------|
| D2E097BK6602 | M2E052BF | 230 | 50 | 300 | 1350 | 50 | 0.23 | 1.5 / 400 | 50 | 0 .. 215 | -25 .. 70 | 1.5 |

Subject to modification

Characteristic: Pressure over air flow at 50Hz

| n [1/min] | P ₁ [W] | I [A] | LpA [dBA] | ntL [%] |
|--------------|-----------------------|----------|--------------|------------|
|--------------|-----------------------|----------|--------------|------------|

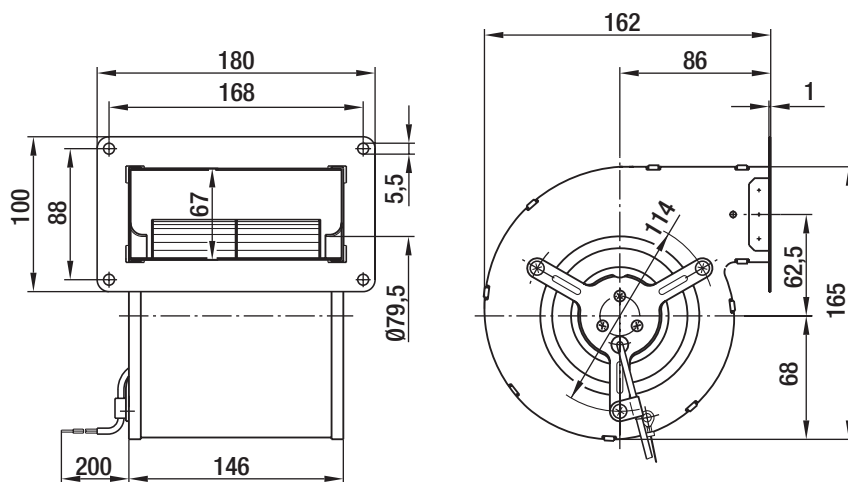
| | | | | | |
|---|------|----|------|----|----|
| 1 | 1490 | 48 | 0,22 | -- | -- |
| 2 | 2000 | 44 | 0,2 | -- | -- |



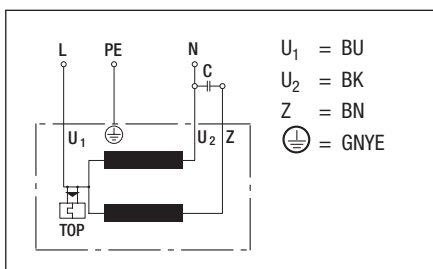
AC centrifugal blower

Dual inlet, forward curved

Specific drawing



Connection illustration



Technical description

- **General description:** Without flange
- **Housing material:** Sendzimir galvanized sheet steel
- **Bearings:** Maintenance-free ball bearings
- **Electrical connection:** Brass lead tips
- **Guideline:** EN 60335-2-31, CE
- **Insulation class:** "B"
- **System of protection:** IP 20
- **Impeller material:** Sendzimir galvanized sheet steel
- **Design:** SAL motor mounted on one side using brackets
- **Direction of rotation:** Counterclockwise, seen on rotor
- **Cable layout:** Variable
- **Operating mode:** Continuous operation (S1)
- **Protection class:** I
- **Motor protection:** TOP wired internally

Contact

ebm-papst Mulfingen GmbH & Co. KG
Bachmühle 2
D-74673 Mulfingen
Phone +49 (0) 79 38 / 81-0
Fax +49 (0) 79 38 / 81-110
info1@de.ebmpapst.com
www.ebmpapst.com