

A2E200-AF02-01

AC axial fan

straight blades (A series)



ebm-papst Mulfingen GmbH & Co. KG

Bachmühle 2

74673 Mulfingen

Phone: +49 7938 81-0

Fax: +49 7938 81-110

www.ebmpapst.com

info1@de.ebmpapst.com

Nominal data

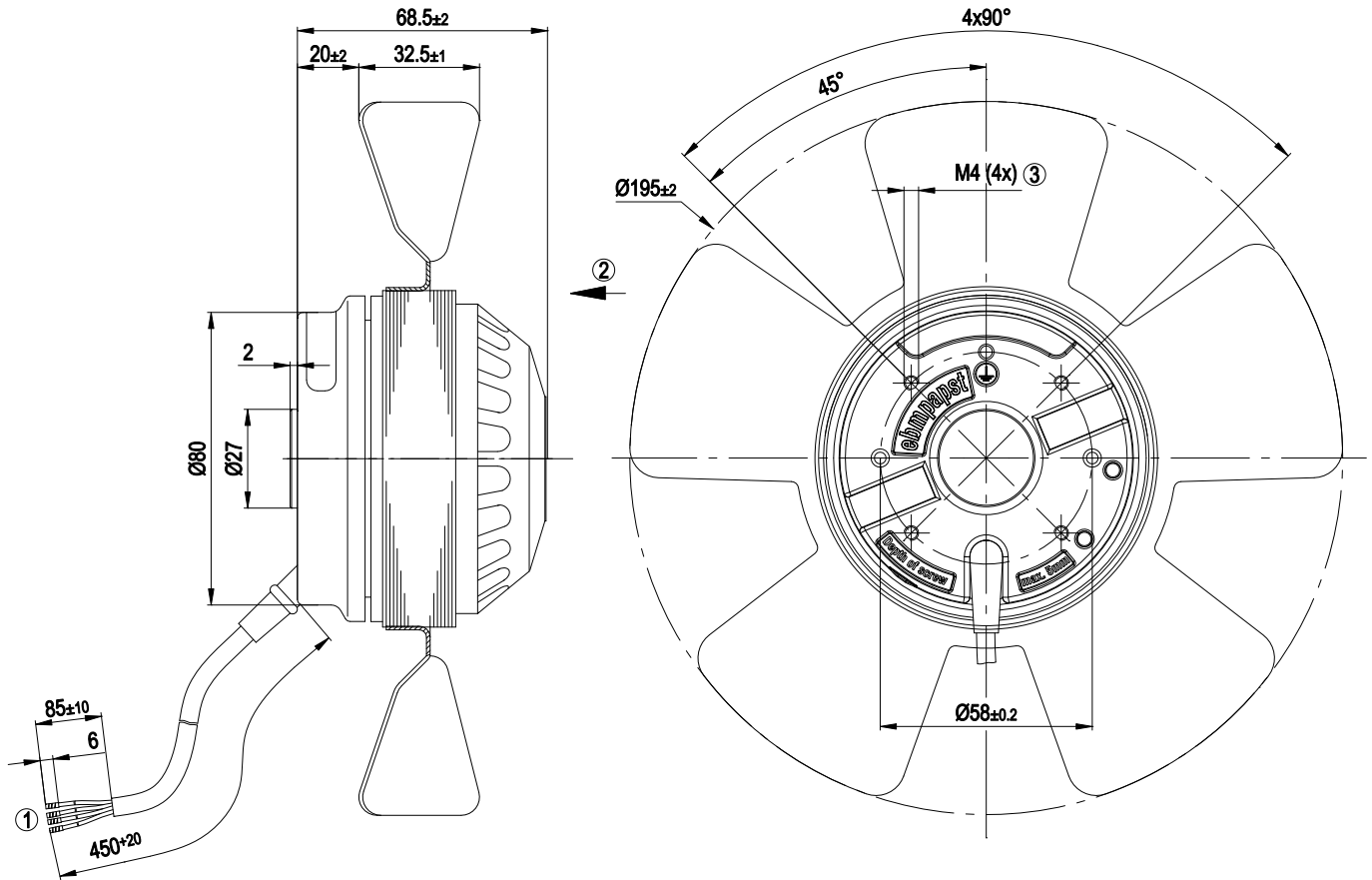
Type	A2E200-AF02-01		
Motor	M2E068-CA		
Phase		1~	1~
Nominal voltage	[V]	230	230
Frequency	[Hz]	50	60
Type of data definition		rfa	rfa
Valid for approval / standard		CE	CE
Speed	[min ⁻¹]	2740	3120
Power input	[W]	50	61
Current draw	[A]	0.24	0.28
Motor capacitor	[µF]	1.5	1.5
Capacitor voltage	[VDB]	400	400
Max. back pressure	[Pa]	200	200
Max. ambient temperature	[°C]	75	75

ml = max. load · me = max. efficiency · rfa = running at free air · cs = customer specs · cu = customer unit
Subject to alterations

Technical features

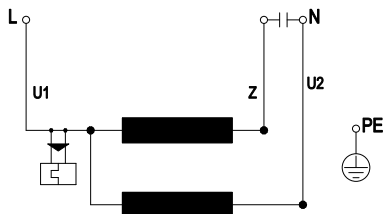
Leakage current	< 0.75 mA
Size	200 mm
Operation mode	S1
Direction of rotation	Counter-clockwise, seen on rotor
Mounting position	Shaft horizontal or rotor on bottom; rotor on top on request
Humidity class	F1-2
Direction of air flow	"V"
Insulation class	"B"
Cable exit	Variable
Condensate discharge holes	Rotor-side
Bearing motor	Ball bearing
Mass	1.4 kg
Material of blades	Sheet steel, coated in black
Motor protection	Thermal overload protector (TOP) wired internally
Product conforming to standard	CE; EN 60335-1
Surface of rotor	Coated in black
Number of blades	5
Type of protection	IP 44; Depending on installation and position as per EN 60034-5
Protection class	I
Max. permissible ambient motor temp. (transp./ storage)	+ 80 °C
Min. permissible ambient motor temp. (transp./storage)	- 40 °C
Approval	CCC; GOST

Product drawing



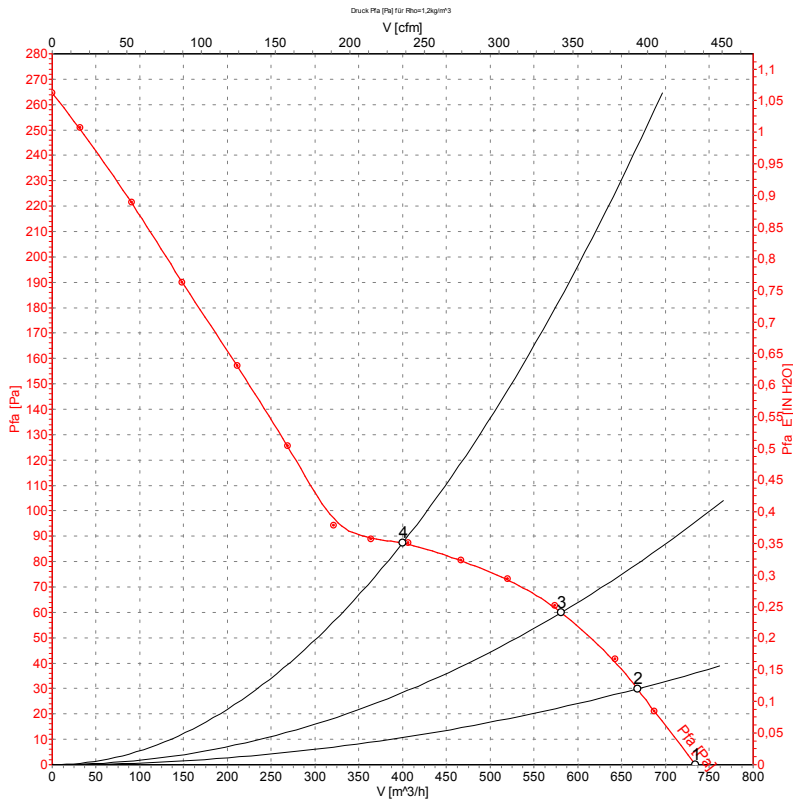
- | | |
|---|---|
| 1 | Connection line PVC 0.5mm ² , 4x brass lead tips crimped |
| 2 | Direction of air flow "V" |
| 3 | Depth of screw max. 5 mm |

Connection screen



U1	blue	Z	brown	U2	black
PE	green/yellow				

Charts: Air flow 50 Hz

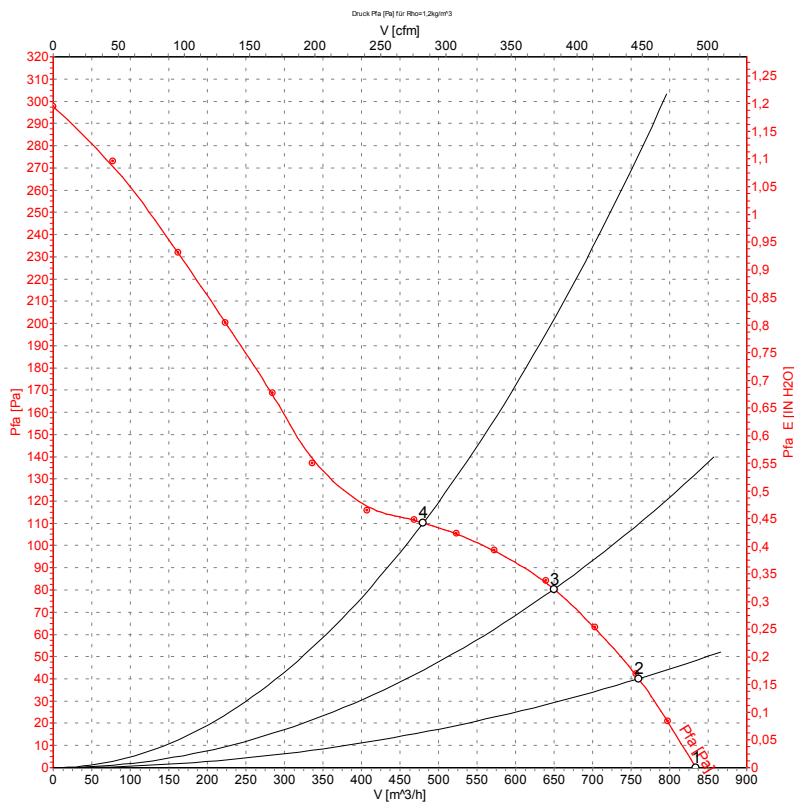


Measurement: LU-57279

Measured values

	U	f	n	P ₁	I	\hat{V}	P _{fa}
	[V]	[Hz]	[min ⁻¹]	[W]	[A]	[m ³ /h]	[Pa]
1	230	50	2740	50	0.24	740	0
2	230	50	2685	50	0.24	670	30
3	230	50	2665	52	0.24	580	60
4	230	50	2680	51	0.24	400	88

Charts: Air flow 60 Hz



Measurement: LU-57280

Measured values

	U	f	n	P ₁	I	\hat{V}	P _{fa}
	[V]	[Hz]	[min ⁻¹]	[W]	[A]	[m³/h]	[Pa]
1	230	60	3120	61	0.28	830	0
2	230	60	3045	65	0.28	760	40
3	230	60	3005	68	0.29	650	80
4	230	60	3035	66	0.29	480	110