

AC axial fan

Series 8000 N 80 x 80 x 38

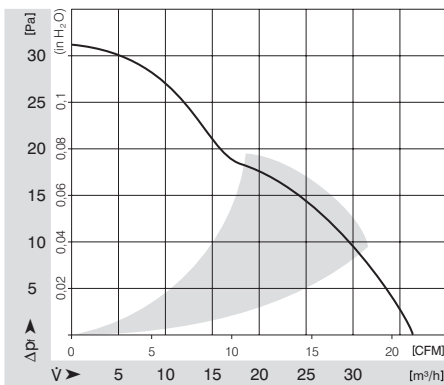


- **General description:** AC fan with external rotor shaded-pole motor
- **Impeller material:** Metal
- **Housing material:** Metal

Nominal data		Voltage	Frequency	Air flow	Speed	Power consumption	Sound level	Sound pressure level	Ambient temperature	L10 service life at 40 °C	L10 service life at max. temp.	Weight
Type	Motor	VAC	Hz	m³/h	1/min	W	Bel	dB(A)	°C	h	h	kg
8850 N	--	230	50	37	2150	12.5	3.9	24	-10 .. 70	52500	25000	0.490

Subject to modification

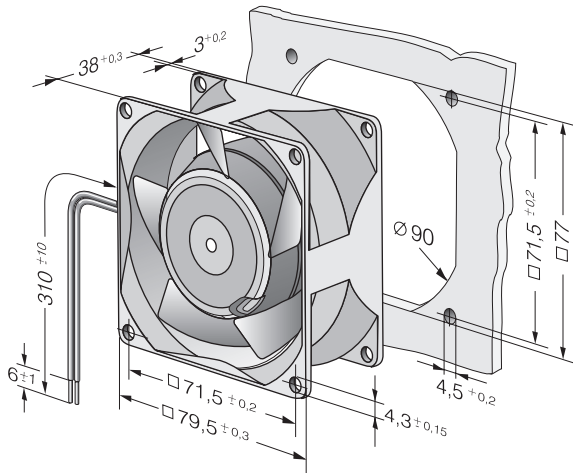
Characteristic: Pressure over air flow



AC axial fan

Series 8000 N 80 x 80 x 38

Specific drawing



Technical description

- **General description:** AC fan with external rotor shaded-pole motor
- **Housing material:** Metal
- **Direction of rotation:** Right, looking at rotor
- **Electrical connection:** 2 single strands AWG 28, TR 64
- **Approvals:** VDE, CSA, UL, CE
- **Impeller material:** Metal
- **Bearings:** Sintec sleeve bearing system
- **Direction of air flow:** Air exhaust over bars
- **Motor protection:** Protected from overload using impedance protection

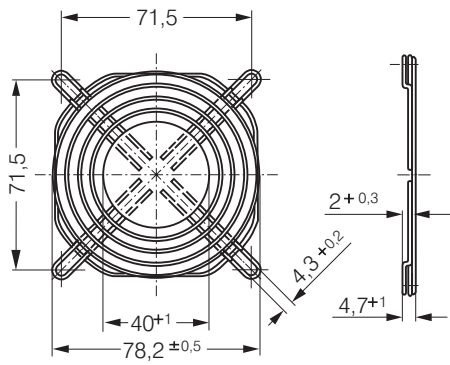
Contact

ebm-papst St. Georgen GmbH & Co. KG
Hermann-Papst-Straße 1
D-78112 St. Georgen
Phone +49 (0) 7724 / 81-0
Fax +49 (0) 7724 / 81-1309
info2@de.ebmpapst.com
www.ebmpapst.com

Guard grille

Order No.

LZ32-4



Technical description

- **General description:** Guard grille in accordance with EN 294

- **Material:** Rust-protected steel wire

Contact

ebm-papst St. Georgen GmbH & Co. KG

Hermann-Papst-Straße 1

D-78112 St. Georgen

Phone +49 (0) 7724 / 81-0

Fax +49 (0) 7724 / 81-1309

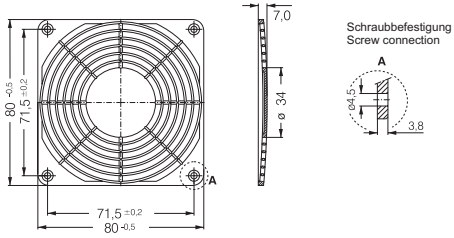
info2@de.ebmpapst.com

www.ebmpapst.com

Guard grille

Order No.

LZ32-2



Technical description

- **General description:** Guard grille in accordance with EN 294

- **Material:** Fiberglass-reinforced plastic

Contact

ebm-papst St. Georgen GmbH & Co. KG

Hermann-Papst-Straße 1

D-78112 St. Georgen

Phone +49 (0) 7724 / 81-0

Fax +49 (0) 7724 / 81-1309

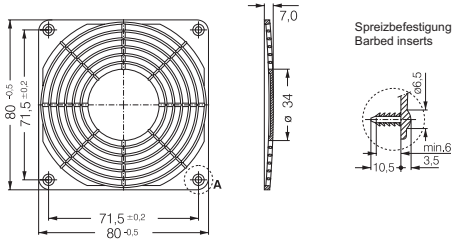
info2@de.ebmpapst.com

www.ebmpapst.com

Guard grille

Order No.

LZ32-3



Technical description

- **General description:** Guard grille in accordance with EN 294

- **Material:** Fiberglass-reinforced plastic

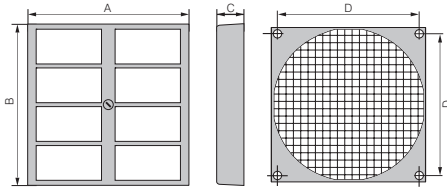
Contact

ebm-papst St. Georgen GmbH & Co. KG
Hermann-Papst-Straße 1
D-78112 St. Georgen
Phone +49 (0) 7724 / 81-0
Fax +49 (0) 7724 / 81-1309
info2@de.ebmpapst.com
www.ebmpapst.com

Filter guard grille

Order No.

FF60_FF80



Technical description

- **General description:** Filter guard grille consist of 3 parts: the outer grille barrier, the inner fastening plate and the replaceable filter mat. A quick-release on the grille barrier allows for quick and easy filter mat changes.

- **Material:** Grille barrier molded of polycarbonate (PC) with matte surface. Wire-mesh fastening plate, powder-coated black.

Contact

ebm-papst St. Georgen GmbH & Co. KG

Hermann-Papst-Straße 1

D-78112 St. Georgen

Phone +49 (0) 7724 / 81-0

Fax +49 (0) 7724 / 81-1309

info2@de.ebmpapst.com

www.ebmpapst.com