

AC axial fan

Series 8000 N 80 x 80 x 38

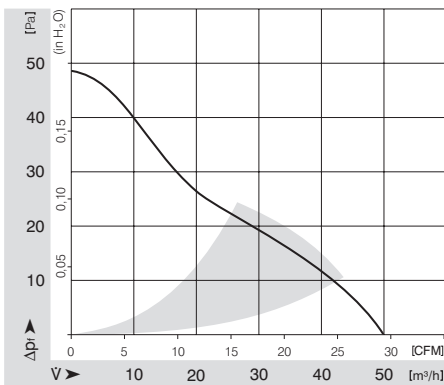


- **General description:** AC fan with external rotor shaded-pole motor.
- **Impeller material:** Metal
- **Housing material:** Metal

| Nominal data | | Voltage | Frequency | Air flow | Speed | Power consumption | Sound level | Sound pressure level | Ambient temperature | L10 service life at 40 °C | L10 service life at max. temp. | Weight |
|--------------|-------|---------|-----------|----------|-------|-------------------|-------------|----------------------|---------------------|---------------------------|--------------------------------|--------|
| Type | Motor | VAC | Hz | m³/h | 1/min | W | Bel | dB(A) | °C | h | h | kg |
| 8550 N | -- | 230 | 50 | 50 | 2700 | 12.0 | 4.4 | 30 | -10 .. 70 | 52500 | 25000 | 0.490 |

Subject to modification

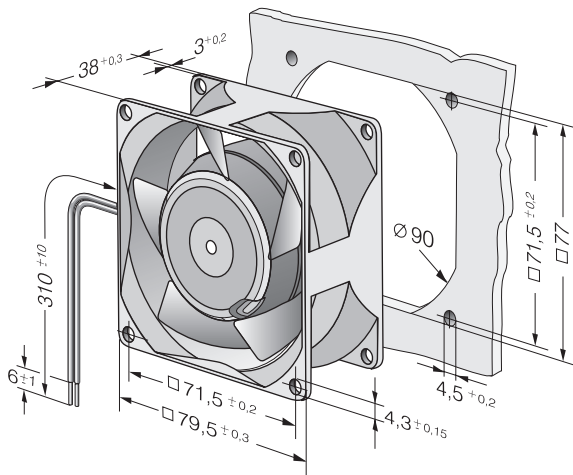
Characteristic: Pressure over air flow



AC axial fan

Series 8000 N 80 x 80 x 38

Specific drawing



Technical description

- **General description:** AC fan with external rotor shaded-pole motor.
- **Housing material:** Metal
- **Direction of rotation:** Right, looking at rotor
- **Electrical connection:** 2 single strands AWG 28, TR 64
- **Approvals:** VDE, CSA, UL, CE
- **Impeller material:** Metal
- **Bearings:** Sintec sleeve bearing system
- **Direction of air flow:** Air exhaust over bars
- **Motor protection:** Protected from overload using impedance protection

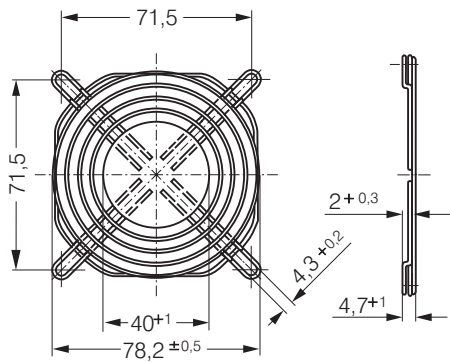
Contact

ebm-papst St. Georgen GmbH & Co. KG
Hermann-Papst-Straße 1
D-78112 St. Georgen
Phone +49 (0) 7724 / 81-0
Fax +49 (0) 7724 / 81-1309
info2@de.ebmpapst.com
www.ebmpapst.com

Guard grille

Order No.

LZ32-4



Technical description

- **General description:** Guard grille in accordance with EN 294

- **Material:** Rust-protected steel wire

Contact

ebm-papst St. Georgen GmbH & Co. KG

Hermann-Papst-Straße 1

D-78112 St. Georgen

Phone +49 (0) 7724 / 81-0

Fax +49 (0) 7724 / 81-1309

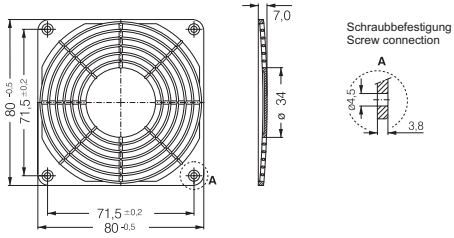
info2@de.ebmpapst.com

www.ebmpapst.com

Guard grille

Order No.

LZ32-2



Technical description

- **General description:** Guard grille in accordance with EN 294

- **Material:** Fiberglass-reinforced plastic

Contact

ebm-papst St. Georgen GmbH & Co. KG

Hermann-Papst-Straße 1

D-78112 St. Georgen

Phone +49 (0) 7724 / 81-0

Fax +49 (0) 7724 / 81-1309

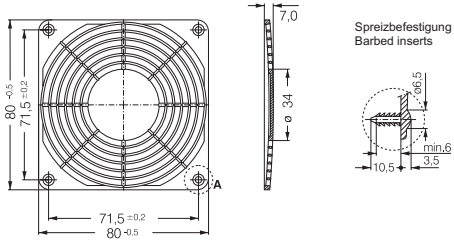
info2@de.ebmpapst.com

www.ebmpapst.com

Guard grille

Order No.

LZ32-3



Technical description

- **General description:** Guard grille in accordance with EN 294

- **Material:** Fiberglass-reinforced plastic

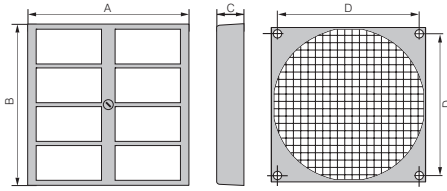
Contact

ebm-papst St. Georgen GmbH & Co. KG
Hermann-Papst-Straße 1
D-78112 St. Georgen
Phone +49 (0) 7724 / 81-0
Fax +49 (0) 7724 / 81-1309
info2@de.ebmpapst.com
www.ebmpapst.com

Filter guard grille

Order No.

FF60_FF80



Technical description

- **General description:** Filter guard grille consist of 3 parts: the outer grille barrier, the inner fastening plate and the replaceable filter mat. A quick-release on the grille barrier allows for quick and easy filter mat changes.

- **Material:** Grille barrier molded of polycarbonate (PC) with matte surface. Wire-mesh fastening plate, powder-coated black.

Contact

ebm-papst St. Georgen GmbH & Co. KG

Hermann-Papst-Straße 1

D-78112 St. Georgen

Phone +49 (0) 7724 / 81-0

Fax +49 (0) 7724 / 81-1309

info2@de.ebmpapst.com

www.ebmpapst.com