

7856 ES

AC axial compact fan



ebm-papst St. Georgen GmbH & Co. KG

Hermann-Papst-Str. 1

D-78112 St. Georgen

Phone +49 (0) 7724 81-0

Fax +49 (0) 7724 81-1309

info2@de.ebmpapst.com

www.ebmpapst.com

Nominal data

Type	7856 ES	
Phase		1~
Nominal voltage	VAC	230
Frequency	Hz	50
Speed	min ⁻¹	2800
Power input	W	45
Min. ambient temperature	°C	-25
Max. ambient temperature	°C	70
Air flow	m ³ /h	325
Sound power level	B	6.0
Sound pressure level	dB(A)	49

ml = Max. load · me = Max. efficiency · fa = Running at free air · cs = Customer specs · cu = Customer unit
Subject to alterations

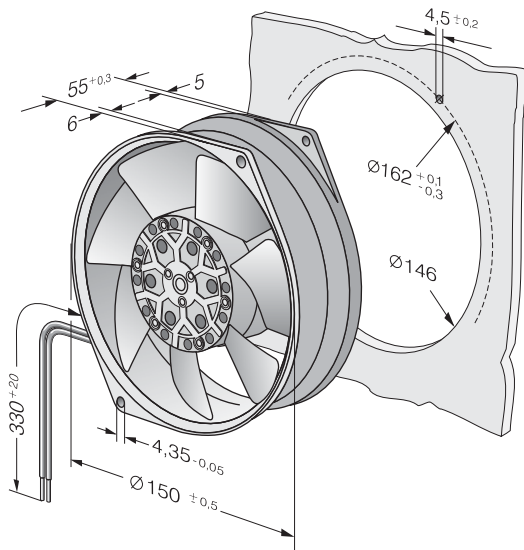


Technical features

Mass	1.1 kg
Dimensions	150 Ø x 55 mm
Material of impeller	Sheet steel, coated in black
Housing material	Die-cast aluminium
Direction of air flow	Exhaust over struts
Direction of rotation	Left, looking at rotor
Bearing	Ball bearings
Lifetime L10 at 40 °C	60000 h
Lifetime L10 at maximum temperature	30000 h
Connection line	With 2 single strands. Strand ends with lead tips. Grounding lug for M4 x 8.
Motor protection	Protected from overload by a thermal switch
Approval	VDE, CSA, UL, CE



Product drawing



Charts: Air flow

