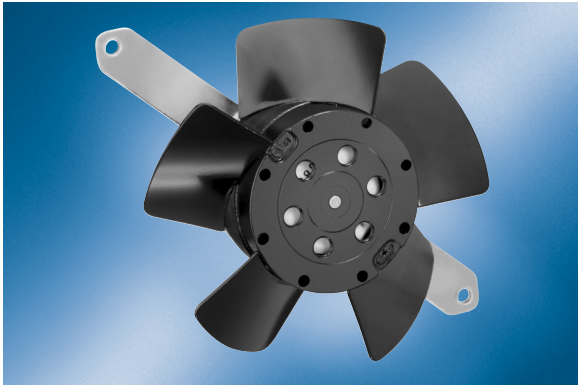


AC axial fan

Series 4600 TZ 108 Ø x 37



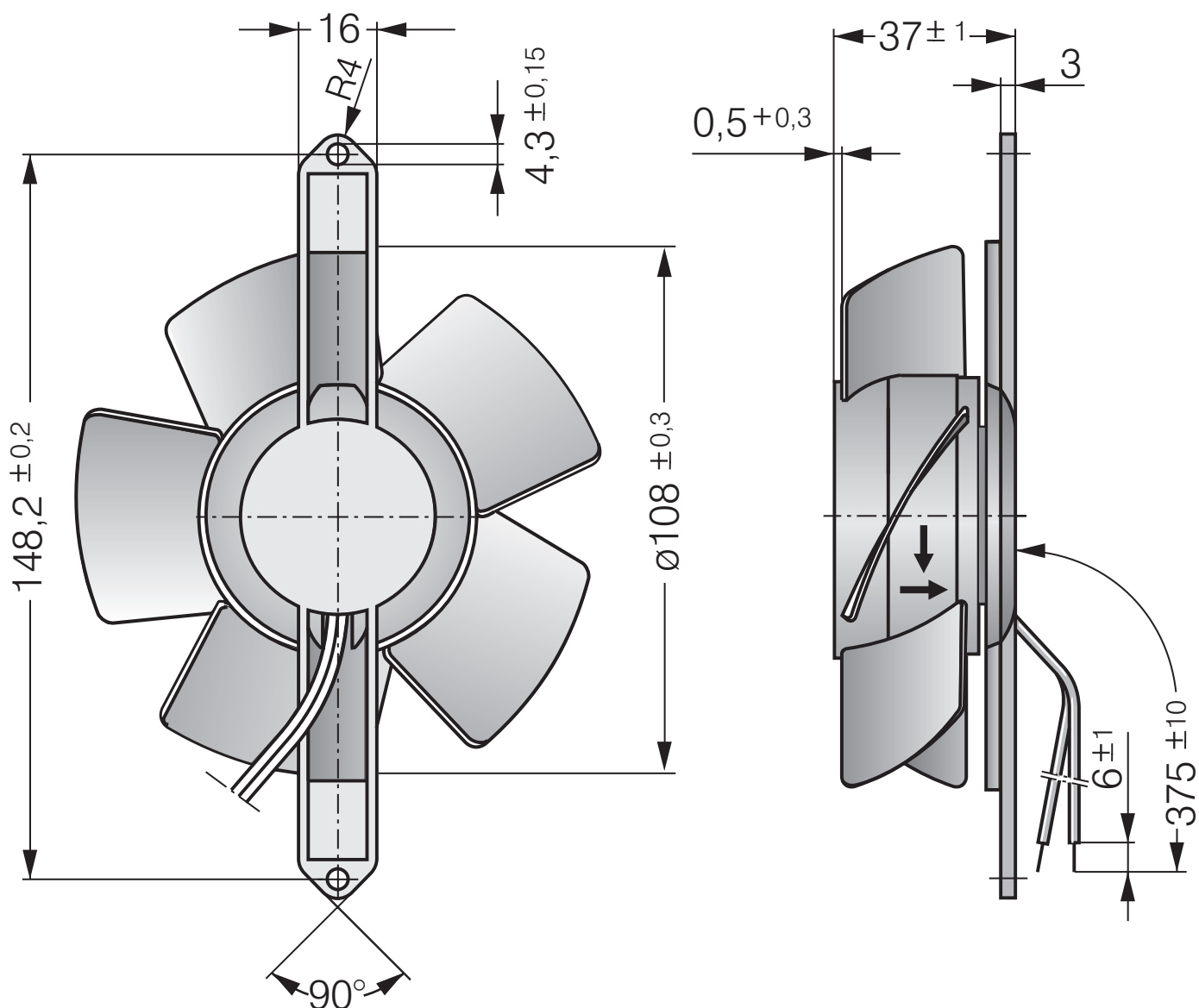
- **General description:** AC fan with external rotor shaded-pole motor.
- **Impeller material:** Metal
- **Bearings:** Ball bearings

Nominal data		Voltage	Frequency	Air flow	Speed	Power consumption	Sound pressure level	Ambient temperature	L10 service life at 40 °C	L10 service life at max. temp.	Weight
Type	Motor	VAC	Hz	m³/h	1/min	W	dB(A)	°C	h	h	kg
4656 TZ	--	230	50	125	2600	19.0	42	-40 .. 65	37500	20000	0.430
Subject to modification											

AC axial fan

Series 4600 TZ 108 Ø x 37

Specific drawing



Technical description

- **General description:** AC fan with external rotor shaded-pole motor.
- **Bearings:** Ball bearings
- **Direction of air flow:** Air exhaust over mounting bracket
- **Motor protection:** Protected from overload using impedance protection
- **Impeller material:** Metal
- **Direction of rotation:** Right, looking at rotor
- **Electrical connection:** 2 single strands AWG 18
- **Approvals:** VDE, CSA, UL, CE

Contact

ebm-papst St. Georgen GmbH & Co. KG
Hermann-Papst-Straße 1
D-78112 St. Georgen
Phone +49 (0) 7724 / 81-0
Fax +49 (0) 7724 / 81-1309
info2@de.ebmpapst.com
www.ebmpapst.com