

AC axial fan

S series



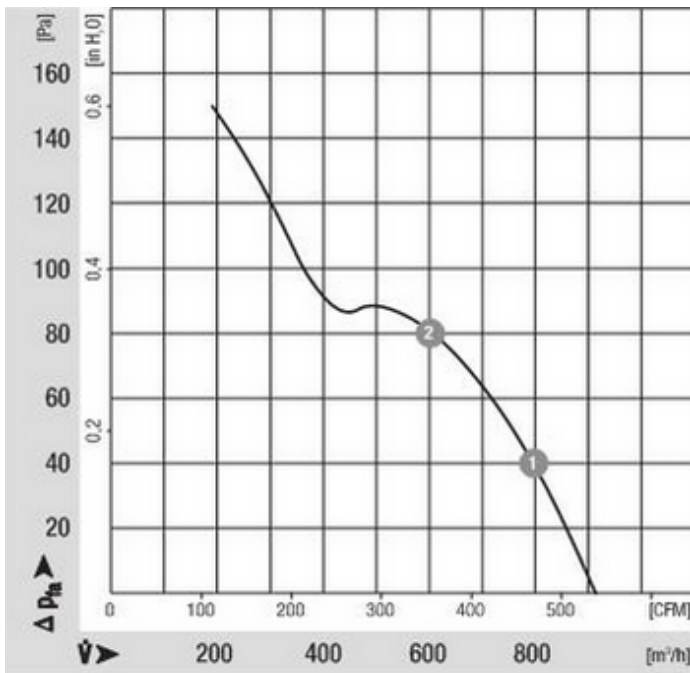
- **Design:** Basket guard grille
- **Impeller material:** Sheet steel (enameled in black)
- **Bearings:** Maintenance-free ball bearings

Nominal data		Voltage	Frequency	Air flow	Speed	Power consumption	Current draw	Capacitor capacity	Sound pressure level	Operative range 50Hz	Ambient temperature 50Hz	Weight
Type	Motor	1 - VAC	Hz	m ³ /h	1/min	W	A	uF/V	dB(A)	Pa	°C	kg
S2E200AI3801	M2E068BF	230	50	890	2600	64	0.30	1.5 / 400	65	0 .. 150	-25 .. 70	1.4

Subject to modification

Characteristic: Pressure over air flow at 50Hz

n	P ₁	I	LpA	ntL
[1/min]	[W]	[A]	[dBA]	[%]

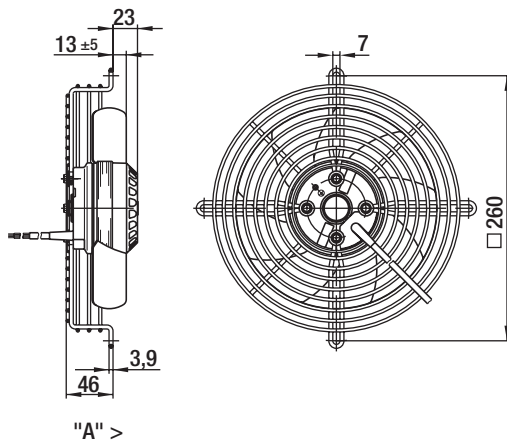


1	2555	67	--	--	--
2	2465	70	--	--	--

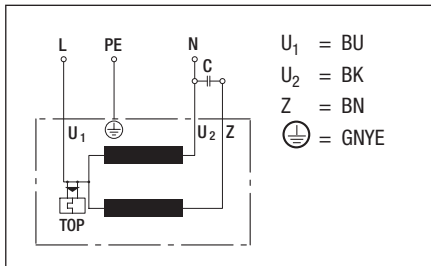
AC axial fan

S series

Specific drawing



Connection illustration



Technical description

- **Design:** Basket guard grille
- **Bearings:** Maintenance-free ball bearings
- **Direction of flow:** "A"
- **Cable layout:** Variable
- **Insulation class:** "B"
- **System of protection:** IP 44
- **Impeller material:** Sheet steel (enameled in black)
- **Direction of rotation:** Left, looking at rotor
- **Number of impeller blades:** 9
- **Operating mode:** S1
- **Protection class:** I

Contact

ebm-papst Mulfingen GmbH & Co. KG

Bachmühle 2

D-74673 Mulfingen

Phone +49 (0) 79 38 / 81-0

Fax +49 (0) 79 38 / 81-110

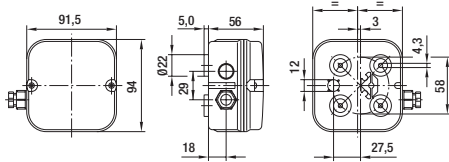
info1@de.ebmpapst.com

www.ebmpapst.com

Terminal box

Order No.

64442-1-7612



Technical description

- **General description:** 2-part terminal box for AC motors of size 068, with 4-pole terminal strip. Suitable for installation of a capacitor up to max. 10 μ F.
- **System of protection:** IP 54

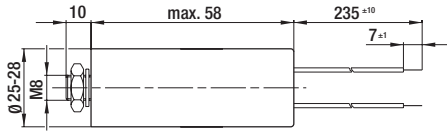
- **Material:** ABS

Contact

ebm-papst Mulfingen GmbH & Co. KG
Bachmühle 2
D-74673 Mulfingen
Phone +49 (0) 79 38 / 81-0
Fax +49 (0) 79 38 / 81-110
info1@de.ebmpapst.com
www.ebmpapst.com

MKP motor capacitor (without fuse), 1.5 μ F

Order No.	Capacity
99282-4-7320	1.5 μ F



Technical description

- **Material:** Housing of Thermoplast
- **Connecting cable:** Multi-core PVC wire 0.5 mm² (16 x 0.2 mm²) with wire-end clamp
- **Approvals:** VDE in accordance with DIN EN 60252 (VDE 0560/8)
- **Expected service life:** 400 VDB; -25 to +85°C; 30,000 hrs.; Class A
450 VDB; -25 to +85°C; 10,000 hrs.; Class B

Contact

ebm-papst Mulfingen GmbH & Co. KG
Bachmühle 2
D-74673 Mulfingen
Phone +49 (0) 79 38 / 81-0
Fax +49 (0) 79 38 / 81-110
info1@de.ebmpapst.com
www.ebmpapst.com