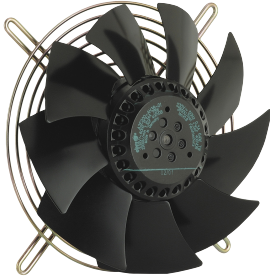


S2D200-BI18-01

AC axial fan with guard grille for full nozzle sickled blades (S series)



ebm-papst Mulfingen GmbH & Co. KG

Bachmühle 2
74673 Mulfingen
Phone: +49 7938 81-0
Fax: +49 7938 81-110
www.ebmpapst.com
info1@de.ebmpapst.com

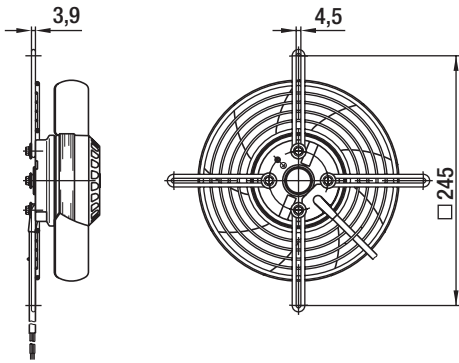
Technical features

Size	200 mm
Operation mode	Continuous operation (S1)
Direction of air flow	"A"
Insulation class	"B"
Cable exit	Lateral
Bearing-motor	Ball bearing
Mass	1.6 kg
Material of electronics housing	Rotor: Coated in black
Material of impeller	Sheet steel, coated in black
Number of blades	9
Type of protection	IP 44
Protection class	I
Approval	CCC

S2D200-BI18-01

AC axial fan with guard grille for full nozzle sickled blades (S series)

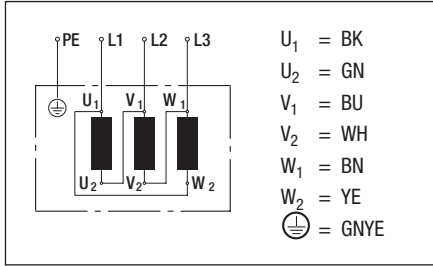
Product drawing



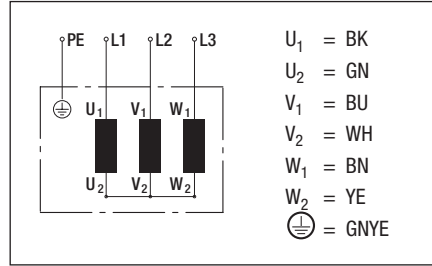
"A" >

Connection screen

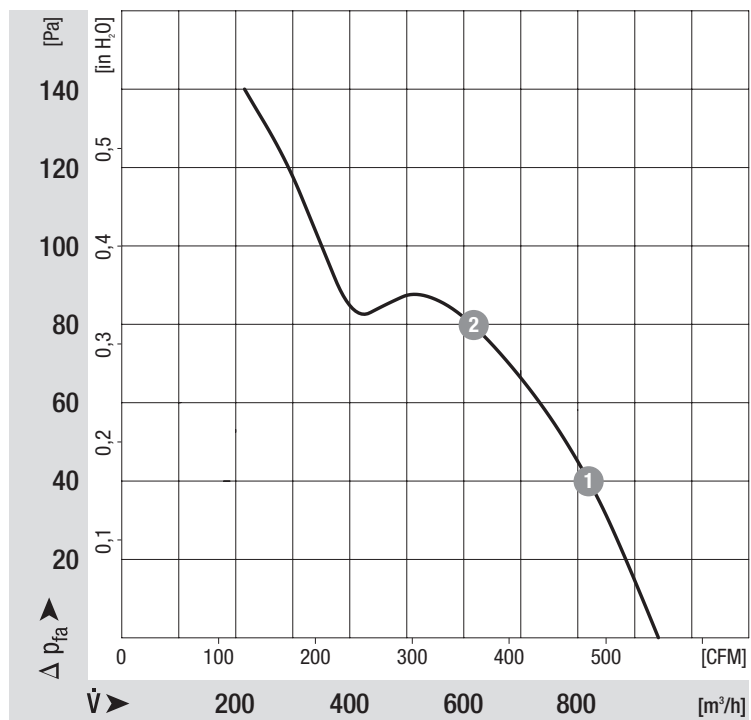
Delta (3~ 230 VAC)



Star (3~ 400 VAC)



Charts: Air flow 50 Hz



	n	P ₁	I
	[min ⁻¹]	[W]	[A]
1	2540	70	0.17
2	2470	74	0.17

Charts: Air flow 60 Hz

